

# 1. MACHINE FRAME & MISCELLANEOUS COVER COMPONENTS

頭部・外装関係

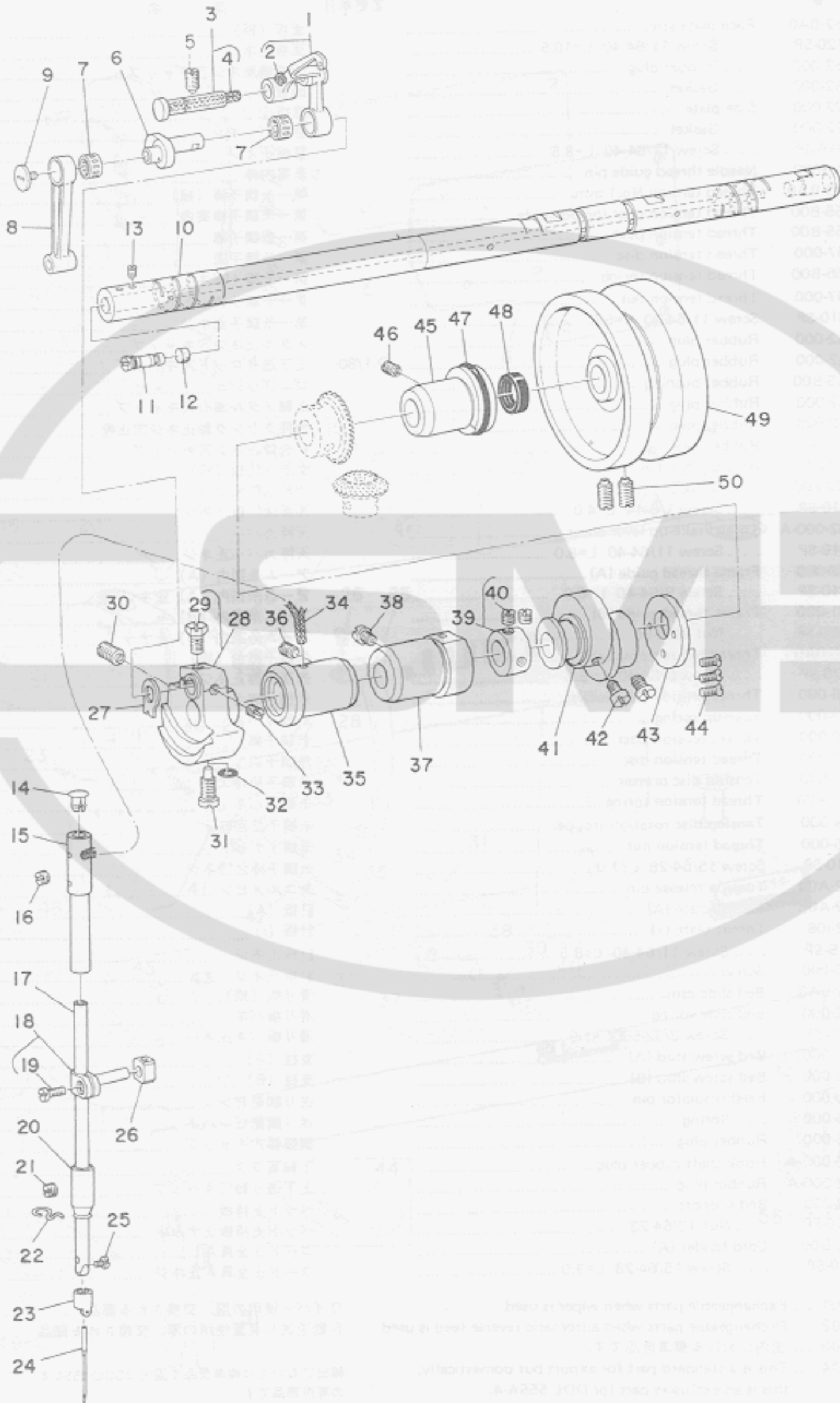
Ref. No.	Note	Part No.	Description	E.C.	品名	Amt. Req. 数量
	注記	品番		変更年月		
1		B1121-552-0A0	Face plate asm. ....		面板 (組) .....	1
2	001	SS-7111120-SP	... Screw 11/64-40 L=10.5 .....		面板止ネジ .....	3
3		B1179-552-000	... Rubber plug .....		面板調節ネジ穴キャップ .....	2
4		B1122-552-000	... Gasket .....		面板パッキン .....	1
5		B1118-522-000	Side plate .....		窓板 .....	1
6		B1119-522-000	... Gasket .....		窓板パッキン .....	1
7		SS-7110910-SP	... Screw 11/64-40 L=8.5 .....		窓板止ネジ .....	8
8		B1114-012-000	Needle thread guide pin .....		糸案内棒 .....	1
9		D3161-555-BA0	Thread tension No.1 asm. ....		第一糸調子棒 (組) .....	1
10		D3162-555-B00	Thread tension post thread guide .....		第一糸調子棒案内 .....	(1)
11		D3161-555-B00	Thread tension post .....		第一糸調子棒 .....	(1)
12		B3214-047-000	Thread tension disc .....		第一糸調子皿 .....	(2)
13		D3168-555-B00	Thread tension spring .....		第一糸調子バネ .....	(1)
14		B3216-047-000	Thread tension nut .....		第一糸調子ナット .....	(1)
15		SS-8110510-SP	Screw 11/64-40 L=5.0 .....		第一糸調子止ネジ .....	1
16		B1117-552-000	Rubber plug .....		メタル止ネジ穴キャップ .....	4
17	☆	B1186-552-000	Rubber plug .....	D.1/80	上下送りロッド穴キャップ .....	-
18	002	D2467-555-B00	Rubber bushing .....		ゴムブッシュ .....	1
19		B1187-552-000	Rubber plug .....		上軸メタル油心穴キャップ .....	1
20		B1117-552-000	Rubber plug .....		天秤クランク軸止ネジ穴止栓 .....	1
21		B1164-012-000	Rubber plug .....		釣合錘止ネジ穴キャップ .....	1
22		B1188-552-0A0	Arm oil shield asm. ....		面部油防板 (組) .....	1
23		CQ-2020000-00	... Oil wick .....		面部油防板油心 .....	(0.1)
24		SS-6080410-SP	... Screw 1/8-44 L=4.0 .....		面部油防板止ネジ .....	1
25		B1123-552-000-A	Thread take-up lever cover .....		天秤カバー .....	1
26	001	SS-7110510-SP	... Screw 11/64-40 L=5.0 .....		天秤カバー止ネジ .....	1
27		B1126-552-000	Frame thread guide (A) .....		アーム糸案内 (A) .....	1
28		SS-5090610-SP	... Screw 9/64-40 L=6.0 .....		アーム糸案内 (A) 止ネジ .....	1
29		B3114-761-000	Frame thread guide (B) .....		アーム糸案内 (B) .....	1
30		NS-6060350-SP	... Nut 3/32-56 .....		アーム糸案内 (B) 止ナット .....	1
31		B3111-126-0A0	Thread tension post asm. ....		糸調子棒台 (組) .....	1
32		SS-8090670-SP	... Screw 9/64-40 L=5.5 .....		糸調子棒止ネジ .....	(1)
33		B3111-126-000	Thread tension post socket .....		糸調子棒台 .....	(1)
34		B3128-012-000	Take-up spring .....		糸取りバネ .....	(1)
35		B3115-552-000	Thread tension post .....		糸調子棒 .....	(1)
36		B3126-012-000	Thread tension disc .....		糸調子皿 .....	(2)
37		B3132-552-000	Tension disc presser .....		糸調子皿押エ .....	(1)
38		B3129-012-A00	Thread tension spring .....		糸調子バネ .....	(1)
39		B3120-125-000	Tension disc rotation stopper .....		糸調子皿回転止 .....	(1)
40		B3116-125-000	Thread tension nut .....		糸調子ナット .....	(1)
41		SS-8150710-SP	Screw 15/64-28 L=7.0 .....		糸調子棒台焼ネジ .....	1
42		B3118-552-A00	Tension release pin .....		糸ユルメピン .....	1
43	003	B1109-012-A0B	Throat plate (A) .....		針板 (A) .....	1
44	004	B1109-012-i0B	Throat plate (i) .....		針板 (i) .....	1
45	0	SS-2110915-SP	... Screw 11/64-40 L=8.5 .....		針板止ネジ .....	2
46	005	B1190-450-000	Screw .....		針板止ネジ .....	2
47		B1110-012-0A0	Bed slide asm. ....		滑り板 (組) .....	1
48		B1111-012-000	Bed slide spring .....		滑り板バネ .....	(1)
49		SS-6060210-SP	... Screw 3/32-56 L=1.9 .....		滑り板バネ止ネジ .....	(2)
50		B1104-122-000	Bed screw stud (A) .....		支柱 (A) .....	1
51		B1105-122-000	Bed screw stud (B) .....		支柱 (B) .....	1
52		B1147-555-000	Feed regulator pin .....		送り調節ピン .....	1
53		B1148-555-000	... Spring .....		送り調節ピンバネ .....	1
54		B1189-415-000	Rubber plug .....		調節器穴キャップ .....	1
55		B1166-552-000-A	Hook shaft rubber plug .....		下軸盲ブタ .....	1
56		B1166-552-000-A	Rubber plug .....		上下送り軸穴キャップ .....	1
57		B1106-122-000	Bed support .....		ベット支持板 .....	1
58		NS-6150310-SP	... Nut 15/64-28 .....		ベット支持板止ナット .....	2
59		D2112-555-B00	Cord holder (A) .....		コード止金具A .....	1
60		SS-7150940-SP	... Screw 15/64-28 L=9.0 .....		コード止金具A 止ネジ .....	1

Note (注記) 001 ..... Exchangeable parts when wiper is used.  
 002 ..... Exchangeable parts when automatic reverse feed is used.  
 003 ..... 国内における標準部品です。  
 004 ..... This is a standard part for export but domestically, this is an exclusive part for DDL-555A-4.  
 005 ..... For -3B, -4B.

ワイパー使用の際、交換される部品  
 自動逆送り装置使用の際、交換される部品  
 輸出においては標準部品で国内はDDL-555A-4  
 の専用部品です。  
 -3B, -4B 用

## 2. MAIN SHAFT & NEEDLE BAR COMPONENTS

上軸・針棒關係



## 2. MAIN SHAFT & NEEDLE BAR COMPONENTS

上軸・針棒関係

Ref. No.	Note	Part No.	Description	E.C. 変更年月	品名	Amt. Req. 数量
	注記	品番				
1		B1901-552-0C0	Thread take-up lever asm.		リンク天ビン (組)	1
2		CQ-2000000-00	Oil wick		リンク天ビン油心	(0.1)
3		B1904-552-0A0	Thread take-up crank shaft asm.		天ビクラック軸 (組)	1
4		CQ-2020000-00	Oil wick		天ビクラック軸油心	(0.2)
5		SS-8151150-SP	Screw 15/64-28 L=10.5		天ビクラック軸止ネジ	1
6		B1209-552-000	Needle bar crank		針棒クラック	1
7		B1905-541-B00	Needle bearing		天ビンニードル軸受	2
8		B1408-552-000	Needle bar crank rod		針棒クラックロッド	1
9		B1903-552-000	Thread take-up left screw		天ビクラック左ネジ	1
10		B1201-555-000	Main shaft		上軸	1
11		B1213-552-0A0	Crank oil adjusting pin		クラック油量調節ピン	1
12		B1226-552-000	Oil regulating felt		クラック油量制限フェルト	1
13		B1224-552-000	Screw		クラック油量調節ピン止ネジ	1
14		B1405-012-000	Cap		針棒上メタルフタ	1
15		B1402-552-000-A	Needle bar bushing, upper		針棒上メタル	1
16		SS-8150310-SP	Screw 15/64-28 L=3.4		針棒上メタル止ネジ	1
17		B1401-552-A00	Needle bar (A)		針棒 (A)	1
18		B1411-552-0A0	Needle bar connection asm.		針棒抱キ (組)	1
19		SS-6090670-TP	Screw 9/64-40 L=6.0		針棒抱キ締ネジ	(1)
20		B1403-155-000	Needle bar bushing, lower		針棒下メタル	1
21		SS-8150310-SP	Screw 15/64-28 L=3.4		針棒下メタル止ネジ	1
22		B1419-155-000	Needle bar thread guide		針棒糸案内	1
23	006	B1418-552-A00	Needle thread guide		針棒糸掛ケ	1
24		MDB-100B1400	Needle (DBx1 #14)		針 (DBx1 #14)	1
25		SS-7080510-SP	Screw 1/8-44 L=4.5		針止ネジ	1
26		B1414-232-000	Needle bar guide block		針棒抱キ案内コロ	1
27		B1212-552-A00	Counterweight protecting plate (A)		釣合錘保護板 (A)	1
28		B1206-552-0A0	Counterweight asm.		釣合錘 (組)	1
29		SS-9661120-CP	Screw 1/4-40 L=10.5		針棒クラック締ネジ	(1)
30		SS-8681950-SP	Screw 9/32-28 L=19.0		釣合錘止ネジ (B)	1
31		SS-7681650-TP	Screw 9/32-28 L=16.0		釣合錘止ネジ (A)	1
32		RO-0442401-00	Rubber ring		釣合錘止ネジOリング	1
33		SS-8660610-TP	Screw 1/4-40 L=6.0		針棒クラック止ネジ	1
34		CQ-2020000-00	Oil wick		針棒給油油心	0.3
35		B1202-552-B00-A	Main shaft bushing, front		上軸前メタル	1
36		SS-8151150-SP	Screw 15/64-28 L=10.5		上軸前メタル止ネジ	1
37		B1203-227-000	Main shaft bushing, intermediate		上軸中メタル	1
38		SS-7151120-SP	Screw 15/64-28 L=11.0		上軸中メタル止ネジ	1
39		CS-147121A-SH	Thrust collar asm.		上軸スラスト受ケ (組)	1
40		SS-8660610-TP	Screw 1/4-40 L=6.0		上軸スラスト受ケ止ネジ	(2)
41		B1610-555-000	Feed drive eccentric cam		送り偏心カム	1
42		SS-6661110-SP	Screw 1/4-40 L=11.0		送り偏心カム止ネジ	2
43		B1611-161-000	Thrust washer		送りカムスラスト受ケ	1
44		SS-2110930-SP	Screw 11/64-40 L=8.7		送りカムスラスト受ケ止ネジ	3
45		B1204-552-B00	Main shaft bushing rear		上軸後メタル	1
46		SS-8151150-SP	Screw 15/64-28 L=10.5		上軸後メタル止ネジ	1
47		RO-2943101-00	Rubber ring		上軸後メタルOリング	1
48		B1208-552-000-A	Oil seal		上軸後メタルオイルシール	1
49		D1217-555-C00	Hand wheel		ハズミ車	1
50		SS-8151550-SP	Screw 15/64-28 L=15.0		ハズミ車止ネジ	2

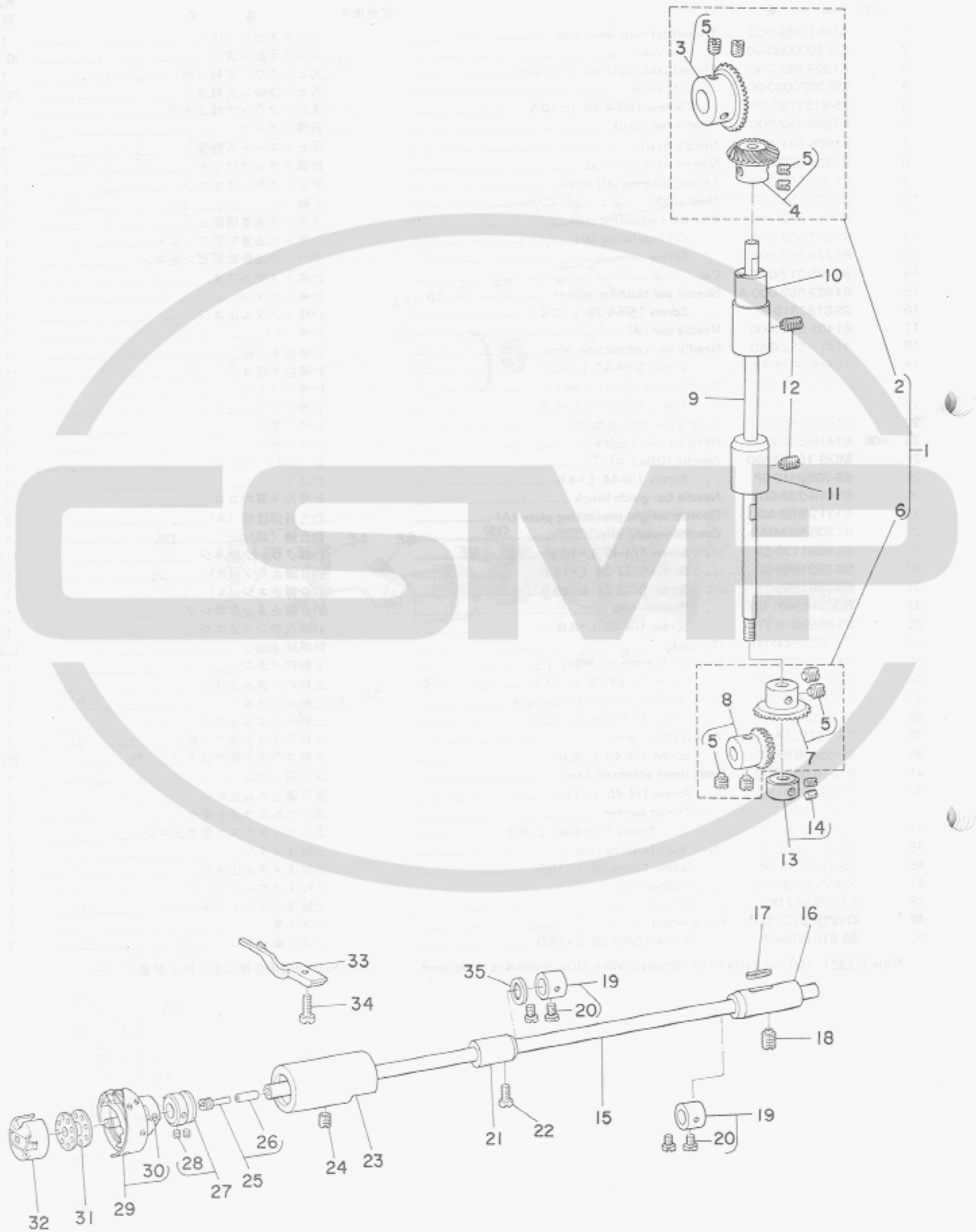
Note (注記) 006 ..... Parts to be removed when DDL-555H-4 is to be used.

DDL-555H-4使用の際に取り除く部品



### 3. UPRIGHT SHAFT & HOOK DRIVING SHAFT COMPONENTS

立軸・下軸関係



### 3. UPRIGHT SHAFT & HOOK DRIVING SHAFT COMPONENTS

### 立軸・下軸関係

Ref. No.	Note	Part No.	Description	E.C.	品名	Amt. Req.
				変更年月		数量
1		B1306-155-0C0	Gear & pinion asm. ....		カサ歯車 (上下組) .....	1
2		B1306-155-0B0	Gear & pinion asm., upper .....		上カサ歯車 (組) .....	(1)
3		B1305-012-0A0	Gear asm. ....		上カサ歯車 (大)(組) .....	(1)
4		B1306-155-0A0	Pinion asm. ....		上カサ歯車 (小)(組) .....	(1)
5		SS-8660810-TP	. . . Screw 1/4-40 L=8.0 .....		歯車止ネジ .....	(8)
6		B1307-155-0B0	Gear & pinion asm., lower .....		下カサ歯車 (組) .....	(1)
7		B1307-155-0A0	Gear asm. ....		下カサ歯車 (大)(組) .....	(1)
8		B1308-155-0A0	Pinion asm. ....		下カサ歯車 (小)(組) .....	(1)
9		B1301-552-000	Upright shaft .....		立軸 .....	1
10		B1302-552-B00	Upright shaft bushing, upper .....		立軸上メタル .....	1
11		B1303-552-B00	Upright shaft bushing, lower .....		立軸下メタル .....	1
12		SS-8151150-SP	. . . Screw 15/64-28 L=10.5 .....		立軸メタル止ネジ .....	2
13	☆	CS-0791010-SH	Thrust collar asm. ....	D.1/79	立軸スラスト受ケ (組) .....	-
14	☆	SS-8110520-TP	. . . Screw 11/64-40 L=4.5 .....	D.1/79	立軸スラスト受ケ止ネジ .....	-
15		B1801-412-000	Hook driving shaft .....		下軸 .....	1
16		B1804-552-B00	Hook driving shaft bushing, rear .....		下軸後メタル .....	1
17		B1806-038-000	. . . Oil felt .....		下軸後メタルフェルト .....	1
18	◇02	SS-8151550-SP	. . . Screw 15/64-28 L=15.0 .....		下軸後メタル止ネジ .....	1
19		CS-079101A-SH	Thrust collar asm. ....		下軸スラスト受ケ (B)(組) .....	2
20		SS-6110420-TP	. . . Screw 11/64-40 L=4.5 .....		下軸スラスト受ケ (B) 止ネジ .....	(4)
21		B1803-552-000	Hook driving shaft bushing, intermediate .....		下軸中メタル .....	1
22		SS-7150940-SP	. . . Screw 15/64-28 L=9.0 .....		下軸中メタル止ネジ .....	1
23		B1802-412-0A0	Hook driving shaft bushing, front asm. ....		下軸前メタル (組) .....	1
24		SS-8151150-SP	. . . Screw 15/64-28 L=10.5 .....		下軸前メタル止ネジ .....	1
25		B1808-552-0A0	Hook driving shaft front screw asm. ....		下軸前止ネジ (組) .....	1
26		B1810-552-000	. . . Oil wick .....		下軸前止ネジ油心 .....	(1)
27		CS-079106A-SH	Thrust collar asm. ....		下軸スラスト受ケ (組) .....	1
28		SS-8110410-TP	. . . Screw 11/64-40 L=3.5 .....		下軸スラスト受ケ止ネジ .....	(2)
29		D1830-555-BA0	Sewing hook asm. ....		給油蓋 (組) .....	1
30		SS-6110560-TP	. . . Screw .....		外蓋止ネジ .....	(2)
31		B9117-012-000	Bobbin .....		ボビン .....	1
32		B1837-012-0A0	Bobbin case asm. ....		ボビンケース (組) .....	1
33		D1835-555-B00	Bobbin case holder positioning finger .....		中蓋押エ .....	1
34		SS-6111010-SP	. . . Screw 11/64-40 L=9.5 .....		中蓋押エ止ネジ .....	1
35		D1807-555-B00	Stopper plate .....		下軸中メタルスラスト受板 .....	1

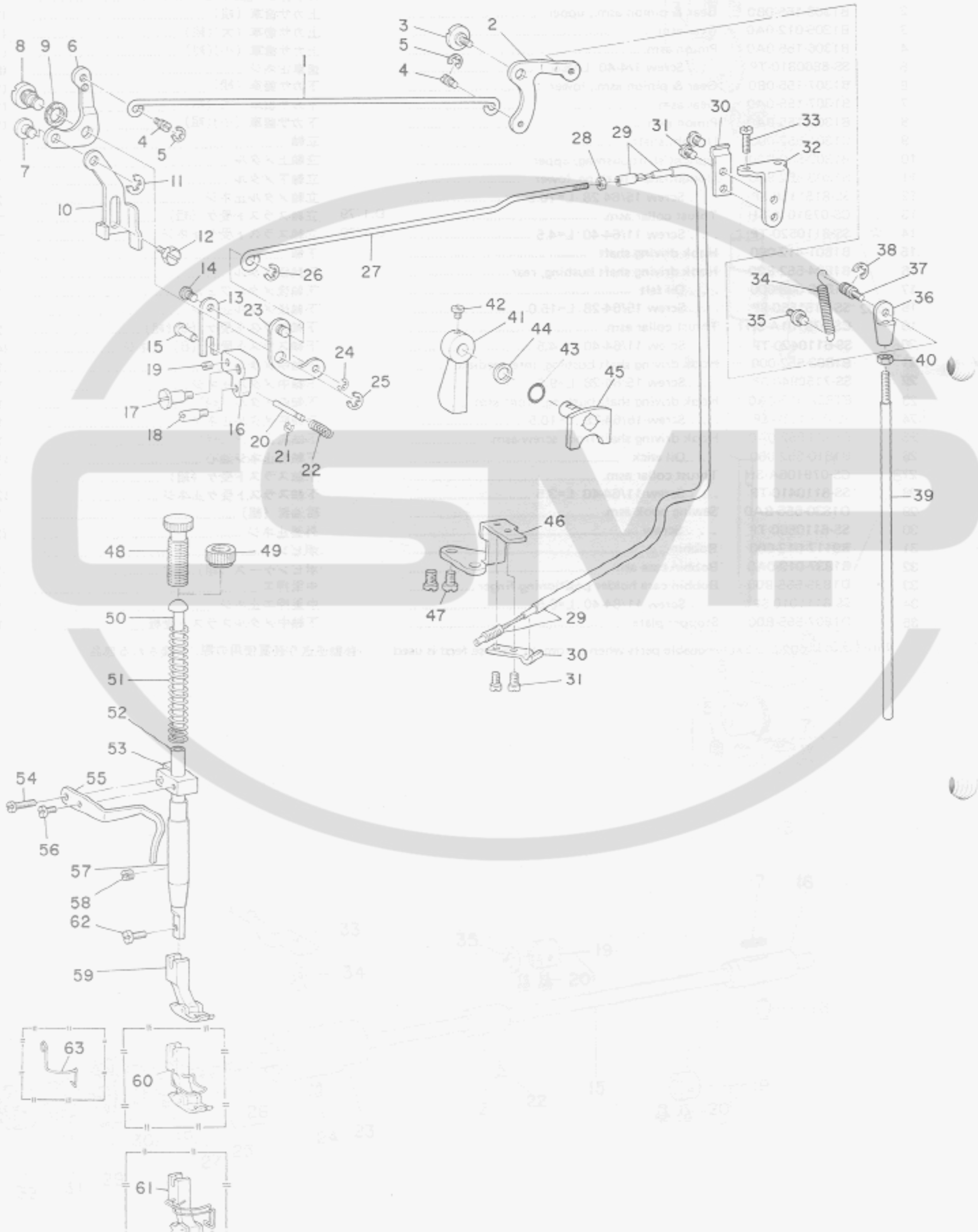
Note (注記) ◇02 ..... Exchangeable parts when automatic reverse feed is used

自動送り装置使用の際、交換される部品

36		SS-8151150-TP	. . . Screw 15/64-28 L=10.5 .....		立軸メタル止ネジ .....	2
37		SS-8151150-TP	. . . Screw 15/64-28 L=10.5 .....		立軸メタル止ネジ .....	2
38		SS-8151150-TP	. . . Screw 15/64-28 L=10.5 .....		立軸メタル止ネジ .....	2
39		SS-8151150-TP	. . . Screw 15/64-28 L=10.5 .....		立軸メタル止ネジ .....	2
40		SS-8151150-TP	. . . Screw 15/64-28 L=10.5 .....		立軸メタル止ネジ .....	2
41		SS-8151150-TP	. . . Screw 15/64-28 L=10.5 .....		立軸メタル止ネジ .....	2
42		SS-8151150-TP	. . . Screw 15/64-28 L=10.5 .....		立軸メタル止ネジ .....	2
43		SS-8151150-TP	. . . Screw 15/64-28 L=10.5 .....		立軸メタル止ネジ .....	2
44		SS-8151150-TP	. . . Screw 15/64-28 L=10.5 .....		立軸メタル止ネジ .....	2
45		SS-8151150-TP	. . . Screw 15/64-28 L=10.5 .....		立軸メタル止ネジ .....	2
46		SS-8151150-TP	. . . Screw 15/64-28 L=10.5 .....		立軸メタル止ネジ .....	2
47		SS-8151150-TP	. . . Screw 15/64-28 L=10.5 .....		立軸メタル止ネジ .....	2
48		SS-8151150-TP	. . . Screw 15/64-28 L=10.5 .....		立軸メタル止ネジ .....	2
49		SS-8151150-TP	. . . Screw 15/64-28 L=10.5 .....		立軸メタル止ネジ .....	2
50		SS-8151150-TP	. . . Screw 15/64-28 L=10.5 .....		立軸メタル止ネジ .....	2
51		SS-8151150-TP	. . . Screw 15/64-28 L=10.5 .....		立軸メタル止ネジ .....	2
52		SS-8151150-TP	. . . Screw 15/64-28 L=10.5 .....		立軸メタル止ネジ .....	2
53		SS-8151150-TP	. . . Screw 15/64-28 L=10.5 .....		立軸メタル止ネジ .....	2
54		SS-8151150-TP	. . . Screw 15/64-28 L=10.5 .....		立軸メタル止ネジ .....	2
55		SS-8151150-TP	. . . Screw 15/64-28 L=10.5 .....		立軸メタル止ネジ .....	2
56		SS-8151150-TP	. . . Screw 15/64-28 L=10.5 .....		立軸メタル止ネジ .....	2
57		SS-8151150-TP	. . . Screw 15/64-28 L=10.5 .....		立軸メタル止ネジ .....	2
58		SS-8151150-TP	. . . Screw 15/64-28 L=10.5 .....		立軸メタル止ネジ .....	2
59		SS-8151150-TP	. . . Screw 15/64-28 L=10.5 .....		立軸メタル止ネジ .....	2
60		SS-8151150-TP	. . . Screw 15/64-28 L=10.5 .....		立軸メタル止ネジ .....	2
61		SS-8151150-TP	. . . Screw 15/64-28 L=10.5 .....		立軸メタル止ネジ .....	2
62		SS-8151150-TP	. . . Screw 15/64-28 L=10.5 .....		立軸メタル止ネジ .....	2
63		SS-8151150-TP	. . . Screw 15/64-28 L=10.5 .....		立軸メタル止ネジ .....	2
64		SS-8151150-TP	. . . Screw 15/64-28 L=10.5 .....		立軸メタル止ネジ .....	2
65		SS-8151150-TP	. . . Screw 15/64-28 L=10.5 .....		立軸メタル止ネジ .....	2
66		SS-8151150-TP	. . . Screw 15/64-28 L=10.5 .....		立軸メタル止ネジ .....	2
67		SS-8151150-TP	. . . Screw 15/64-28 L=10.5 .....		立軸メタル止ネジ .....	2
68		SS-8151150-TP	. . . Screw 15/64-28 L=10.5 .....		立軸メタル止ネジ .....	2
69		SS-8151150-TP	. . . Screw 15/64-28 L=10.5 .....		立軸メタル止ネジ .....	2
70		SS-8151150-TP	. . . Screw 15/64-28 L=10.5 .....		立軸メタル止ネジ .....	2
71		SS-8151150-TP	. . . Screw 15/64-28 L=10.5 .....		立軸メタル止ネジ .....	2
72		SS-8151150-TP	. . . Screw 15/64-28 L=10.5 .....		立軸メタル止ネジ .....	2
73		SS-8151150-TP	. . . Screw 15/64-28 L=10.5 .....		立軸メタル止ネジ .....	2
74		SS-8151150-TP	. . . Screw 15/64-28 L=10.5 .....		立軸メタル止ネジ .....	2
75		SS-8151150-TP	. . . Screw 15/64-28 L=10.5 .....		立軸メタル止ネジ .....	2
76		SS-8151150-TP	. . . Screw 15/64-28 L=10.5 .....		立軸メタル止ネジ .....	2
77		SS-8151150-TP	. . . Screw 15/64-28 L=10.5 .....		立軸メタル止ネジ .....	2
78		SS-8151150-TP	. . . Screw 15/64-28 L=10.5 .....		立軸メタル止ネジ .....	2
79		SS-8151150-TP	. . . Screw 15/64-28 L=10.5 .....		立軸メタル止ネジ .....	2
80		SS-8151150-TP	. . . Screw 15/64-28 L=10.5 .....		立軸メタル止ネジ .....	2
81		SS-8151150-TP	. . . Screw 15/64-28 L=10.5 .....		立軸メタル止ネジ .....	2
82		SS-8151150-TP	. . . Screw 15/64-28 L=10.5 .....		立軸メタル止ネジ .....	2
83		SS-8151150-TP	. . . Screw 15/64-28 L=10.5 .....		立軸メタル止ネジ .....	2
84		SS-8151150-TP	. . . Screw 15/64-28 L=10.5 .....		立軸メタル止ネジ .....	2
85		SS-8151150-TP	. . . Screw 15/64-28 L=10.5 .....		立軸メタル止ネジ .....	2
86		SS-8151150-TP	. . . Screw 15/64-28 L=10.5 .....		立軸メタル止ネジ .....	2
87		SS-8151150-TP	. . . Screw 15/64-28 L=10.5 .....		立軸メタル止ネジ .....	2
88		SS-8151150-TP	. . . Screw 15/64-28 L=10.5 .....		立軸メタル止ネジ .....	2
89		SS-8151150-TP	. . . Screw 15/64-28 L=10.5 .....		立軸メタル止ネジ .....	2
90		SS-8151150-TP	. . . Screw 15/64-28 L=10.5 .....		立軸メタル止ネジ .....	2
91		SS-8151150-TP	. . . Screw 15/64-28 L=10.5 .....		立軸メタル止ネジ .....	2
92		SS-8151150-TP	. . . Screw 15/64-28 L=10.5 .....		立軸メタル止ネジ .....	2
93		SS-8151150-TP	. . . Screw 15/64-28 L=10.5 .....		立軸メタル止ネジ .....	2
94		SS-8151150-TP	. . . Screw 15/64-28 L=10.5 .....		立軸メタル止ネジ .....	2
95		SS-8151150-TP	. . . Screw 15/64-28 L=10.5 .....		立軸メタル止ネジ .....	2
96		SS-8151150-TP	. . . Screw 15/64-28 L=10.5 .....		立軸メタル止ネジ .....	2
97		SS-8151150-TP	. . . Screw 15/64-28 L=10.5 .....		立軸メタル止ネジ .....	2
98		SS-8151150-TP	. . . Screw 15/64-28 L=10.5 .....		立軸メタル止ネジ .....	2
99		SS-8151150-TP	. . . Screw 15/64-28 L=10.5 .....		立軸メタル止ネジ .....	2
100		SS-8151150-TP	. . . Screw 15/64-28 L=10.5 .....		立軸メタル止ネジ .....	2

# 4. PRESSER BAR & TENSION RELEASE COMPONENTS

押工棒・糸ユルメ関係



# 4. PRESSER BAR & TENSION RELEASE COMPONENTS

押エ棒・糸ユルメ関係

Ref. No.	Note	Part No.	Description	E.C.	Amt. Req.
	注記	品番		変更年月	数量
1		B3412-552-000	Lifting lever connecting rod		1
2		B3414-552-000	Lifting lever link arm		1
3		SD-0720331-SP	... Hinge screw D=7.24 H=3.3		1
4		B3416-552-000	Hinge screw		2
5		RE-0500000-K0	Snap ring		2
6		D1516-555-B00	Lifting lever link		1
7		D1526-555-B00	... Pin		1
8		D1517-555-B00-A	... Shaft		1
9		B3431-581-000	... Gasket		1
10		D1515-555-B00	Lifting lever		1
11		RE-0500000-K0	Snap ring		1
12		SD-0630275-SP	Hinge screw D=6.35 H=2.7		1
13		D3156-555-B00	Tension release plate		1
14		D3154-555-B00	Stud		1
15		D3155-555-B00	Pin		1
16		D3153-555-B00	Tension release lever		1
17		SD-0641003-SP	... Hinge screw D=6.35 H=10.0		1
18		B2613-232-000	Screw stud		1
19		SS-8620610-TP	Screw 3/16-32 L=6.0		1
20		D3127-555-B00	Auxiliary pin		1
21		RE-0250000-K0	Snap ring		1
22		D3133-555-B00	Spring		1
23		D3157-555-BA0	Tension release link asm.		1
24		RE-0300000-K0	Snap ring		1
25		RE-0600000-K0	Snap ring		1
26		RE-0500000-K0	Snap ring		1
27		D3165-555-B00	Tension release rod		1
28		NS-6060310-SP	... Nut 3/32-56		1
29		D3150-555-BA0	Tension release wire asm.		1
30		D3164-555-B00	Outer presser plate		2
31	△	SS-7110740-TP	... Screw 11/64-40 L=7.0		2
32	△	D3163-555-B00-A	Flexible tube support plate		1
33		SS-7111120-SP	... Screw 11/64-40 L=10.5		2
34		B3417-552-000	Spring		1
35		B3413-227-000	Suspension screw		1
36		B3416-012-000	Swivel		1
37		B3418-552-000	... Screw		1
38		RE-0500000-K0	... Snap ring		1
39		B3415-552-000	Connecting rod, vertical		1
40		NS-6620310-SP	... Nut 3/16-32		1
41		B1520-552-000	Hand lifting lever		1
42		SS-7120910-SP	... Screw 3/16-28 L=9.0		1
43		RO-0371801-00	Rubber ring		1
44		WP-0740516-SP	Washer 7.4 x 11.8 x 0.5		1
45		B1518-481-0A0	Hand lifter cam asm.		1
46	☆	D3167-555-B00-B	Tension release wire presser plate		1
47		SS-7110740-SP	... Screw 11/64-40 L=7.0		2
48		B1509-227-000	Presser spring regulator		1
49		NS-2820850-SA	... Nut 1/2-28		1
50		B1510-227-000	Presser guide bar		1
51		B1505-227-000-A	Presser spring		1
52		B1501-127-000	Presser bar		1
53		B1507-552-000	Presser bar guide bracket		1
54		SS-7111410-SP	... Screw 11/64-40 L=14.0		1
55		B1521-552-000	Presser bar thread guide		1
56		SS-6090650-SP	... Screw 9/64-40 L=6.0		1
57		B1502-541-000	Presser bar bushing, lower		1
58		SS-8150310-SP	... Screw 15/64-28 L=3.4		1
59		B1524-012-0A0	Hinged presser foot asm.		1
60	○07	B1524-012-0B0	Hinged presser foot asm.		1
61	○07	B1524-012-0BA	Hinged presser foot asm.		1
62		SS-7091110-SP	... Screw 9/64-40 L=10.5		1
63	○07	B1421-522-000	Needle bar guard	C.6/78	1
					1

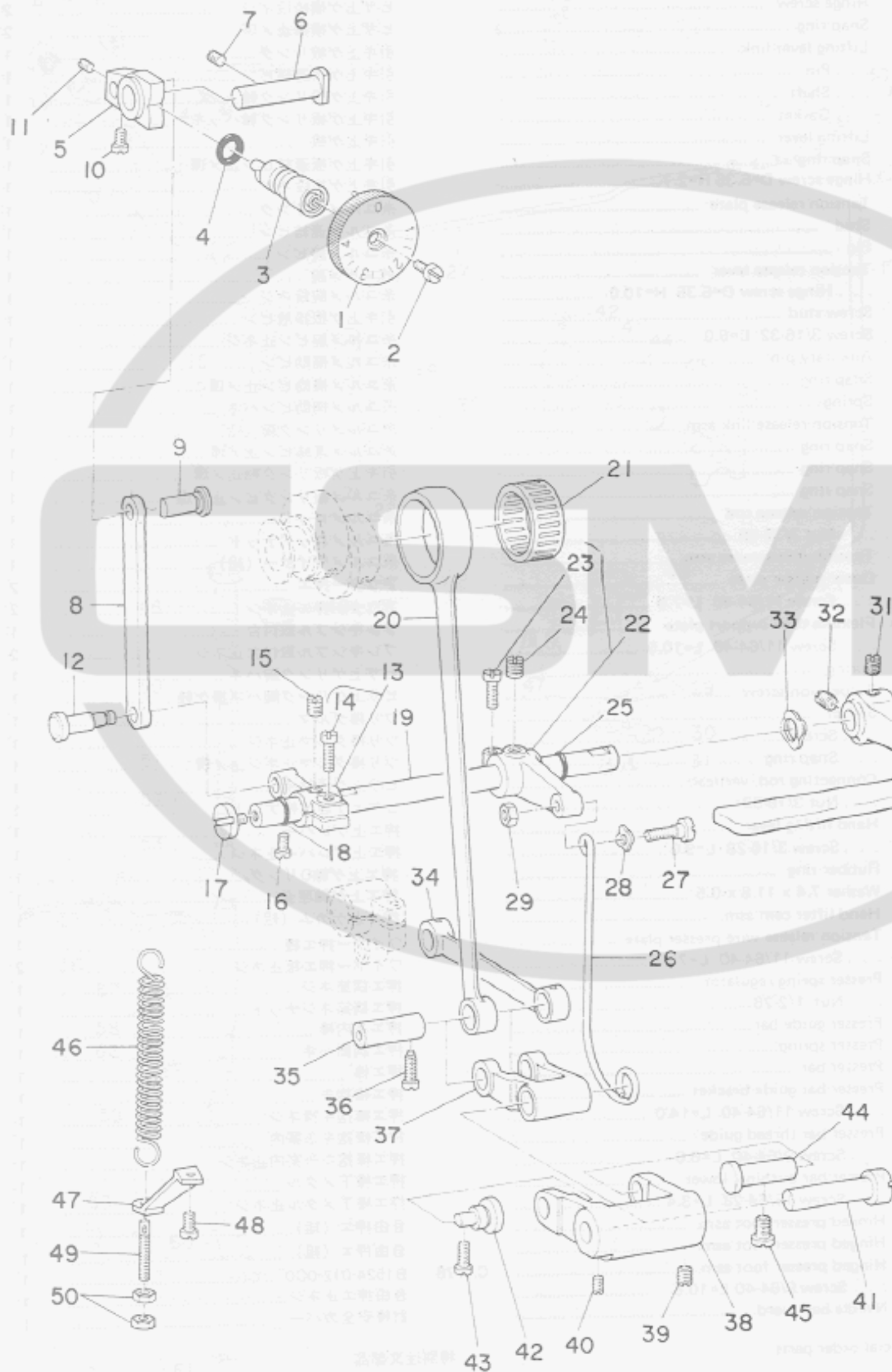
Note (注記) ○07..... Special order parts

特別注文部品



5. FEED MECHANISM COMPONENTS (1)

送り関係 (1)



Part No.	Description	Part No.	Description
1	Motor	21	Timing gear
2	Shaft	22	Timing gear
3	Pin	23	Timing gear
4	Pin	24	Timing gear
5	Pin	25	Timing gear
6	Pin	26	Timing gear
7	Pin	27	Timing gear
8	Pin	28	Timing gear
9	Pin	29	Timing gear
10	Pin	30	Timing gear
11	Pin	31	Timing gear
12	Pin	32	Timing gear
13	Pin	33	Timing gear
14	Pin	34	Timing gear
15	Pin	35	Timing gear
16	Pin	36	Timing gear
17	Pin	37	Timing gear
18	Pin	38	Timing gear
19	Pin	39	Timing gear
20	Pin	40	Timing gear
21	Pin	41	Timing gear
22	Pin	42	Timing gear
23	Pin	43	Timing gear
24	Pin	44	Timing gear
25	Pin	45	Timing gear
26	Pin	46	Timing gear
27	Pin	47	Timing gear
28	Pin	48	Timing gear
29	Pin	49	Timing gear
30	Pin	50	Timing gear
31	Pin		
32	Pin		
33	Pin		
34	Pin		
35	Pin		
36	Pin		
37	Pin		
38	Pin		
39	Pin		
40	Pin		
41	Pin		
42	Pin		
43	Pin		
44	Pin		
45	Pin		
46	Pin		
47	Pin		
48	Pin		
49	Pin		
50	Pin		

# 5. FEED MECHANISM COMPONENTS (1)

(S) 2T3E30M0C3 M31M3H3C3 送り関係 (1)

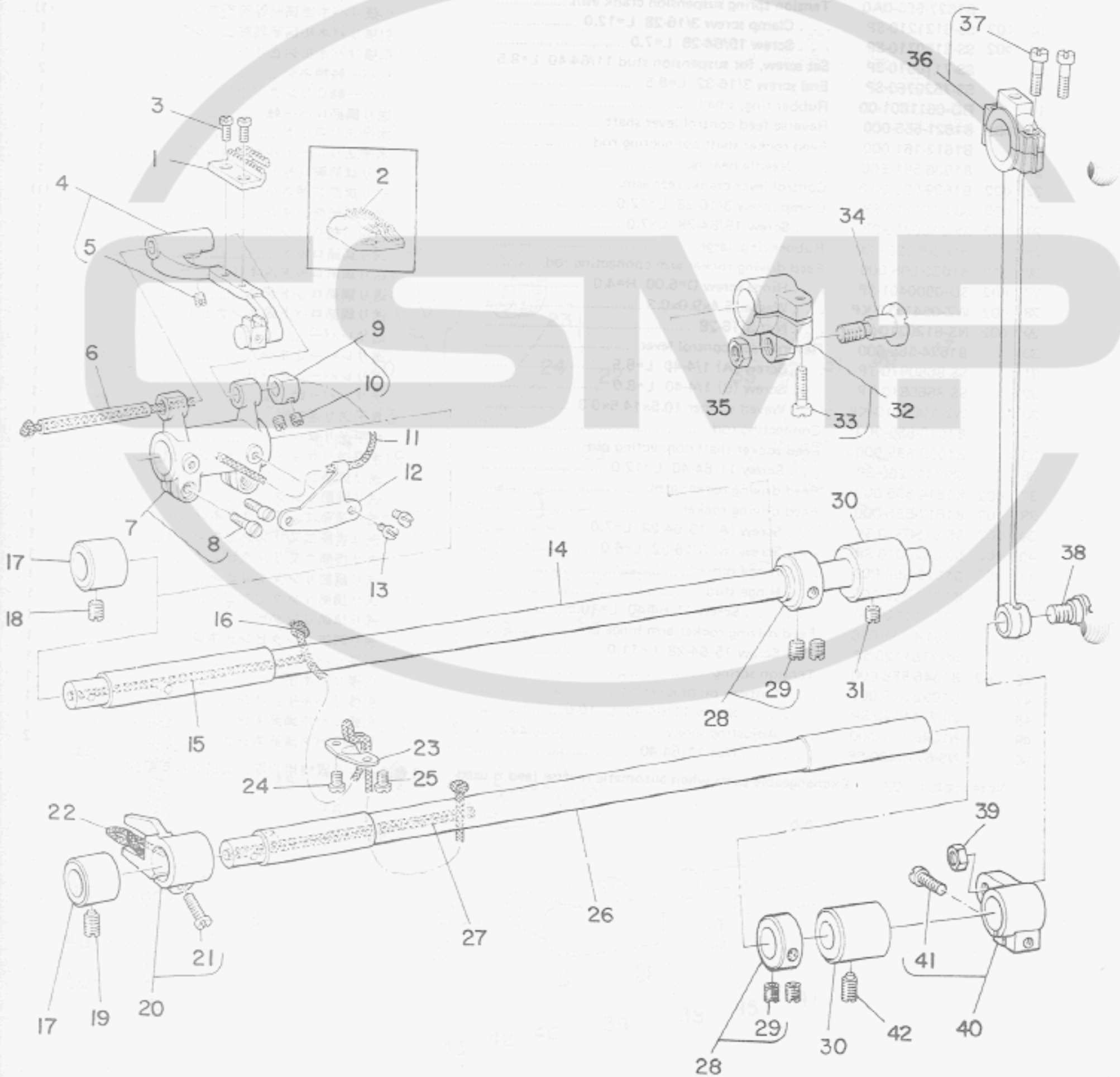
Ref. No.	Note	Part No.	Description	E.C. 変更年月	品名	Amt. Req. 数量
1		B1623-555-0A0-A	Stitch dial asm.		目盛板 (組)	1
2		SS-6121050-SP	... Screw 3/16-28 L=9.5		目盛板止ネジ	1
3		B1634-555-000-B	Feed regulating screw		送り調節ネジ	1
4		RO-0742401-00	... Rubber ring		送り調節ネジOリング	1
5	002	B1620-161-000	Feed regulator		送り調節台	1
6	002	B1622-555-000	... Hinge pin		送り調節台止軸	1
7		SS-8151230-SP	... Screw		送り調節台止軸止ネジ	1
8	002	B1625-555-000	Feed regulator connecting rod		送り調節器ロッド	1
9	002	B1626-555-000	... Pin		送り調節器ロッドピン	1
10		SS-7110720-SP	... Screw (A) 11/64-40 L=7.0		送り調節器ロッドピン止ネジ (A)	1
11	002	SS-8110510-SP	... Screw (B) 11/64-40 L=5.0		送り調節器ロッドピン止ネジ (B)	1
12		B1628-555-000	Tension spring suspension stud		引張りバネ掛軸	1
13		B1627-555-0A0	Tension spring suspension crank asm.		引張りバネ掛調節器腕 (組)	1
14	002	SS-6121210-SP	... Clamp screw 3/16-28 L=12.0		引張りバネ掛調節器腕締ネジ	(1)
15	002	SS-8150710-SP	... Screw 15/64-28 L=7.0		引張りバネ掛調節器腕止ネジ	1
16		SS-7110910-SP	Set screw, for suspension stud 11/64-40 L=8.5		引張りバネ掛軸止ネジ	1
17		SS-7620750-SP	End screw 3/16-32 L=6.5		レバー軸押ネジ	2
18		RO-0611801-00	Rubber ring, small		レバー軸Oリング (小)	1
19	002	B1621-555-000	Reverse feed control lever shaft		送り調節レバー軸	1
20		B1612-161-000	Feed rocker shaft connecting rod		水平送りロッド	1
21		B1636-581-B00	... Needle bearing		水平送りニードルベアリング	1
22	002	B1629-555-0A0	Control lever crank, rear asm.		送り調節腕 (組)	1
23	002	SS-6121210-SP	Clamp screw 3/16-28 L=12.0		送り調節腕締ネジ	(1)
24	002	SS-8150710-SP	... Screw 15/64-28 L=7.0		送り調節腕止ネジ	1
25		RO-0691801-00	Rubber ring, large		レバー軸Oリング (大)	1
26	002	B1630-555-000	Feed driving rocker arm connecting rod		送り調節ロッド	1
27	002	SD-0500401-SP	... Hinge screw D=5.00 H=4.0		送り調節ロッド段ネジ	1
28	002	WZ-0541510-KP	... Washer 5.4x9.0x0.3		送り調節ロッド座金	1
29	002	NS-6120310-SP	... Nut 3/16-28		送り調節ロッド段ネジナット	1
30		B1624-555-000	Reverse feed control lever		送りレバー	1
31		SS-8660970-TP	... Screw (A) 1/4-40 L=8.5		送りレバー止ネジA	1
32		SS-8660810-TP	... Screw (B) 1/4-40 L=8.0		送りレバー止ネジB	1
33		WZ-1052010-KP	... Waved washer 10.5x14.5x0.3		送りレバー軸座金	1
34		B1613-555-000	Connecting rod		水平送り連結桿	1
35		B1633-555-000	Feed rocker shaft connecting pin		水平送りロッドピン	1
36		SS-7111260-SP	... Screw 11/64-40 L=12.0		水平送りロッドピン止ネジ	1
37	002	B1614-555-000	Feed driving rocker arm		送り調節二又リンク	1
38	002	B1617-555-000	Feed driving rocker		送り調節リンク	1
39	002	SS-8150710-SP	... Screw (A) 15/64-28 L=7.0		送り調節二又リンク止ネジ (A)	1
40	002	SS-8620610-SP	... Screw (B) 3/16-32 L=6.0		送り調節二又リンク止ネジ (B)	1
41	002	B1615-555-000	... Hinge pin		送り調節二又リンクピン	1
42		B1619-555-000	... Hinge stud		送り調節リンク支エピン	1
43		SS-7111120-SP	... Screw 11/64-40 L=10.5		送り調節リンク支エピン止ネジ	1
44		B1618-161-000	Feed driving rocker arm hinge pin		送り調節リンクピン	1
45		SS-7151120-SP	... Screw 15/64-28 L=11.0		送り調節リンクピン止ネジ	1
46	002	B1646-555-000	Tension spring		引張りバネ	1
47		B1632-555-000	... Suspension bracket		引張りバネ掛	1
48		SS-7111120-SP	... Screw 11/64-40 L=10.5		引張りバネ掛止ネジ	1
49		B1649-161-000	... Adjusting screw		引張りバネ調節ネジ	1
50		NS-6110420-SP	... Nut 11/64-40		引張りバネ調節ネジナット	2

Note (注記) 002 ..... Exchangeable parts when automatic reverse feed is used 自動逆送り装置使用の際、交換される部品



# 6. FEED MECHANISM COMPONENTS (2)

送り関係 (2)



## 6. FEED MECHANISM COMPONENTS (2)

## 送り関係 (2)

Ref. No.	Note	Part No.	Description	E.C. 変更年月	品名	Amt. Req. 数量
	注記	品番				
1	◊03	B1613-012-A00	Feed dog (A) .....		送り (A) .....	1
2	◊04	B1613-012-i00	Feed dog (i) .....		送り (i) .....	1
3		SS-4080620-TP	... Screw 1/8-44 L=6.5 .....		送り止ネジ .....	2
4		D1602-555-BC0	Feed bar asm. ....		送り台 (組) .....	1
5		SS-8620610-TP	Screw 3/16-32 L=6.0 .....		送り台軸締ネジ .....	(1)
6		B1604-012-000	Feed bar shaft .....		送り台軸 .....	1
7		B1603-155-0A0	Feed rocker asm. ....		送り台腕 (組) .....	1
8		SS-7111310-TP	... Screw 11/64-40 L=12.8 .....		送り台腕締ネジ .....	(2)
9		CS-0640360-SH	Thrust collar asm. ....		送り台軸スラスト受ケ (組) .....	1
10		SS-8110510-SP	... Screw 11/64-40 L=5.0 .....		送り台軸スラスト受ケ止ネジ .....	(2)
11		CQ-3030000-00	Oil wick .....		送り台腕油心 .....	0.3
12		B1609-155-000	Oil wick holder .....		送り台腕油心押エ .....	1
13		SS-6080410-SP	... Screw 1/8-44 L=4.0 .....		送り台腕油心押エ止ネジ .....	2
14		B1601-552-000	Feed rocker shaft .....		水平送り軸 .....	1
15		CQ-3030000-00	... Oil wick .....		水平送り軸油心 (A) .....	0.3
16		CQ-3030000-00	... Oil wick .....		水平送り軸油心 (B) .....	0.5
17		B1604-155-000	Feed rocker shaft bushing, front .....		送り軸前メタル .....	2
18		SS-8150710-SP	... Screw 15/64-28 L=7.0 .....		水平送り軸前メタル止ネジ .....	1
19		SS-8151550-SP	Screw 15/64-28 L=15.0 .....		上下送り軸前メタル止ネジ .....	1
20		B1704-155-0A0	Feed rocker shaft crank asm. ....		上下送りニ又 (組) .....	1
21		SS-7111120-SP	... Screw 11/64-40 L=10.5 .....		上下送りニ又締ネジ .....	(1)
22		CQ-2020000-00	Oil wick .....		上下送り角駒用油心 .....	0.1
23		B1635-552-000	Oil wick holder .....		送り軸油心押エ .....	1
24		SS-7110540-SP	... Screw 11/64-40 L=5.0 .....		送り軸油心押エ止ネジA .....	1
25		SS-7110710-SP	... Screw 11/64-40 L=7.0 .....		送り軸油心押エ止ネジB .....	1
26		B1701-555-000	Feed driving shaft .....		上下送り軸 .....	1
27		CQ-3030000-00	... Oil wick .....		上下送り軸油心 (A) .....	0.1
28		CS-147121A-SH	... Thrust collar asm. ....		送り軸スラスト受ケ (組) .....	2
29		SS-8660610-TP	... Screw 1/4-40 L=6.0 .....		送り軸スラスト受ケ止ネジ .....	(4)
30		B1702-155-000	Feed driving shaft bushing, rear .....		送り軸後メタル .....	2
31	◊02	SS-8150410-SP	Screw 15/64-28 L=4.0 .....		水平送り軸後メタル止ネジ .....	1
32		B1608-161-0A0	Feed rocker shaft crank asm. ....		水平送り腕 (組) .....	1
33		SS-6121610-TP	... Screw 3/16-28 L=15.5 .....		水平送り腕締ネジ .....	(1)
34		SD-1020701-SP	... Hinge screw D=10.20 H=7.0 .....		水平送り腕段ネジ .....	1
35		NS-6680410-SP	... Nut 9/32-28 .....		水平送り腕段ネジナット .....	1
36		B1708-555-0A0	Feed driving shaft connecting rod asm. ....		上下送りロッド (組) .....	1
37		SS-6121610-SP	... Screw 3/16-28 L=15.5 .....		上下送りロッドフタ締ネジ .....	(2)
38		SD-1020701-SP	... Hinge screw D=10.20 H=7.0 .....		上下送りロッド段ネジ .....	1
39		NS-6680410-SP	... Nut 9/32-28 .....		上下送りロッド段ネジナット .....	1
40		B1703-155-0A0	Feed driving shaft crank, rear asm. ....		上下送り腕 (組) .....	1
41		SS-6121610-TP	... Screw 3/16-28 L=15.5 .....		上下送り腕締ネジ .....	(1)
42		SS-8150710-TP	Screw 15/64-28 L=7.0 .....		上下送り軸後メタル止ネジ .....	1

Note (注記) ◊02 ..... Exchangeable parts when automatic reverse feed is used.

◊03 ..... 国内における標準部品です。

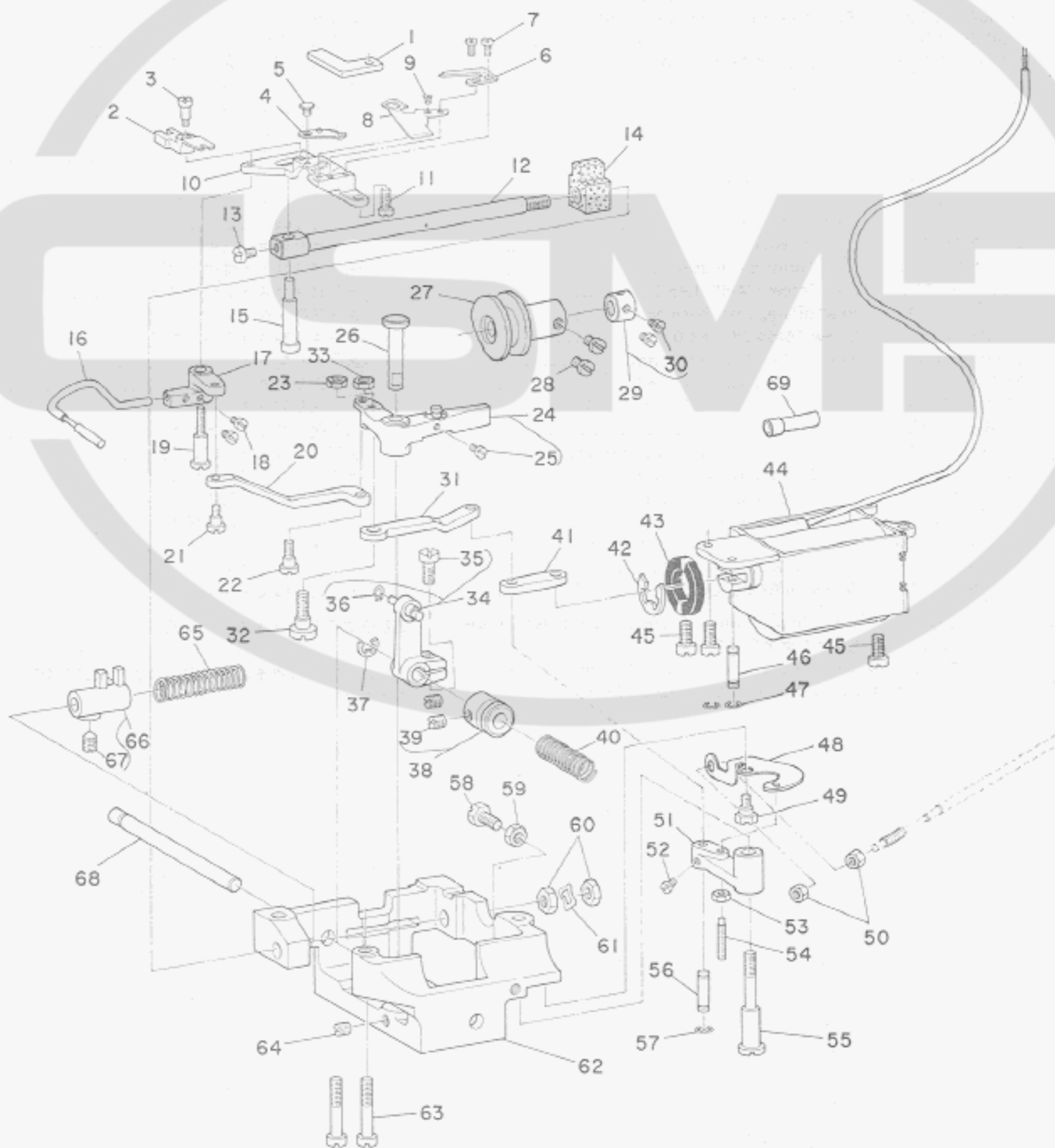
◊04 ..... This is a standard part for export but domestically, this is an exclusive part for DDL-555A-4.

自動逆送り装置使用の際、交換される部品

輸出においては標準部品で国内はDDL-555A-4の専用部品です。

7. THREAD TRIMMER COMPONENTS

糸切り装置関係



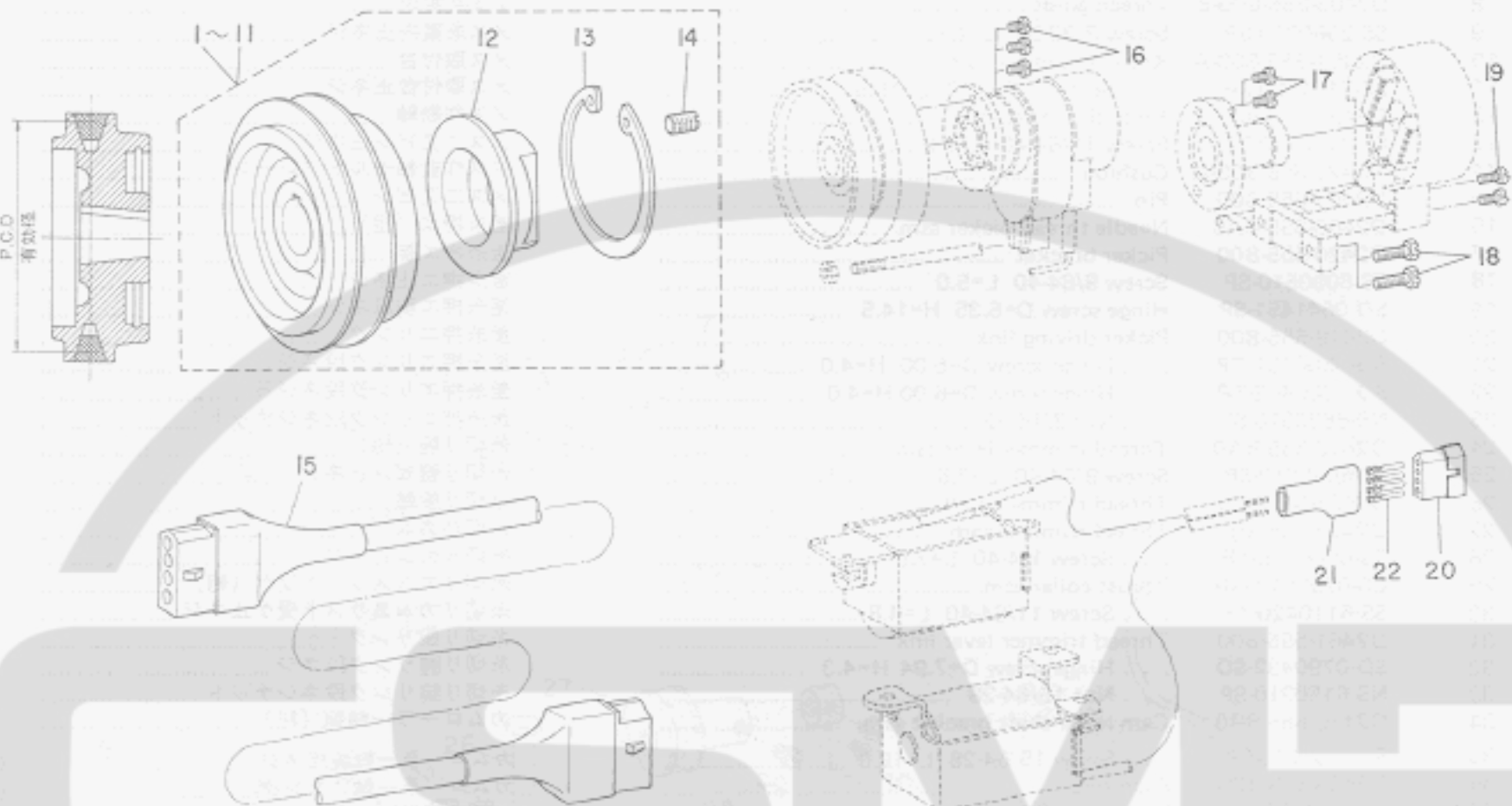
7. THREAD TRIMMER COMPONENTS

糸切り装置関係

Ref. No.	Note	Part No.	Description	E.C. 変更年月	品名	Amt. Req. 数量
1		D2422-555-B00	Groove cover		ベツト溝フタ	1
2		D2411-555-B00	Knife driving fork		メスニ又	1
3		SD-0460702-SP	. . . Hinge screw D=4.60 H=7.0		メスニ又段ネジ	1
4		D2402-555-BA0	Moving knife asm.		動メス (組)	1
5		SD-0500095-TH	. . . Hinge screw D=5.00 H=0.85		動メス段ネジ	1
6	06	D2406-555-B00	Counter knife		固定メス	1
7		SS-4080620-TP	. . . Screw 1/8-44 L=6.4		固定メス止ネジ	2
8		D2405-555-B00-B	Thread guide		メス糸案内	1
9		SS-2060210-SP	Screw 3/32-56 L=2.3		メス糸案内止ネジ	1
10		D2401-555-B00-A	Knife mounting base		メス取付台	1
11		SS-7111120-SP	. . . Screw 11/64-40 L=10.5		メス取付台止ネジ	1
12		D2424-555-B00-A	Knife driving shaft		メス作動軸	1
13		SS-7110740-TP	Screw 11/64-40 L=7.0		メスニ又ピン止ネジ	1
14		D2426-555-B00-A	Cushion		メス作動軸モルトプレーン	1
15		D2407-555-B00	Pin		メスニ又ピン	1
16		D2408-555-CA0	Needle thread picker asm.		釜糸押エ (組)	1
17		D2420-555-B00	Picker bracket		釜糸押エ腕	1
18		SS-6090510-SP	Screw 9/64-40 L=5.0		釜糸押エ止ネジ	2
19		SD-0641451-SP	Hinge screw D=6.35 H=14.5		釜糸押エ腕段ネジ	1
20		D2419-555-B00	Picker driving link		釜糸押エリンク	1
21		SD-0600401-TP	. . . Hinge screw D=6.00 H=4.0		釜糸押エリンク段ネジ	1
22		SD-0600402-TP	. . . Hinge screw D=6.00 H=4.0		釜糸押エリンク段ネジB	1
23		NS-6620310-SP	. . . Nut 3/16-32		釜糸押エリンク段ネジナット	1
24		D2416-555-BA0	Thread trimmer lever asm.		糸切り腕 (組)	1
25		SS-6090810-SP	Screw 9/64-40 L=7.5		糸切り腕ピン止ネジ	(1)
26		D2431-555-B00	Thread trimmer shaft		糸切り腕軸	1
27		D2429-555-B00	Thread trimmer cam		糸切りカム	1
28		SS-6660710-TP	. . . Screw 1/4-40 L=7.0		糸切りカム止ネジ	2
29		CS-079101A-SH	Thrust collar asm.		糸切りカムスラスト受け (組)	1
30		SS-6110420-TP	. . . Screw 11/64-40 L=4.8		糸切りカムスラスト受け止ネジ	(2)
31		D2461-555-B00	Thread trimmer lever link		糸切り腕リンク	1
32		SD-0790432-SD	. . . Hinge screw D=7.94 H=4.3		糸切り腕リンク段ネジ	1
33		NS-6150310-SP	. . . Nut 15/64-28		糸切り腕リンク段ネジナット	1
34		D2415-555-BB0	Cam roller shaft bracket asm.		カムローラー軸腕 (組)	1
35		SS-7151210-SP	. . . Screw 15/64-28 L=12.0		カムローラー軸腕締ネジ	(1)
36		D2430-555-B00	Snap ring		カムローラー軸Cリング	(1)
37		RE-0600000-K0	Snap ring		スライド軸止メ環	1
38		D2418-555-BA0	Thrust collar asm.		カムローラー軸スライド受け (組)	1
39		SS-8660810-TP	. . . Screw 1/4-40 L=8.0		カムローラー軸スライド受け止ネジ	(2)
40		D2423-555-B00	Pressing spring		スライド軸押シバネ	1
41		D2463-555-B00	Magnet connecting link		マグネットリンク	1
42		RE-1200000-K0	Snap ring		ブランジャー止メ環	1
43		D2468-555-B00	Rubber cushion		ブランジャーゴム	1
44		D2460-555-BA0	Solenoid asm.		ソレノイド (組)	1
45		SS-7151210-SP	Screw 15/64-28 L=12.0		ソレノイド止ネジ	3
46		D2464-555-B00	Pin		マグネットリンクピン	1
47		RE-0400000-K0	Snap ring		マグネットリンクピン止メ環	2
48		D3169-555-B00	Tension release wire driving lever		ワイヤー駆動レバー	1
49		SD-0630275-SP	. . . Hinge screw D=6.35 H=2.7	C.6/78	ワイヤー駆動レバー段ネジ	1
50		NS-6620310-SP	Nut 3/16-32	C.6/78	ワイヤーセットネジナット	2
51		D2465-555-B00-A	Lever driving arm		マグネット腕	1
52		SS-7110710-SP	. . . Screw 11/64-40 L=7.0		マグネット腕ピン止ネジ	1
53		NS-6110310-SP	Nut 11/64-40		ワイヤー駆動レバーピンナット	1
54		D3170-555-B00	Pin		ワイヤー駆動レバーピン	1
55		SD-0951905-SP	Hinge screw D=9.53 H=19.0		マグネット腕段ネジ	1
56		D2464-555-B00	Pin		マグネット腕ピン	1
57		RE-0400000-K0	Snap ring		マグネット腕ピン止メ環	1
58		SS-9151540-SP	Screw		糸切り腕ストッパー	1
59		NS-6150310-SP	Nut 15/64-28		糸切り腕ストッパーナット	1
60		NS-6680410-SP	Nut 9/32-28		メス作動軸ナット	2
61		WZ-0850302-K0	Waved washer		メス作動軸波座金	1
62	06	D2412-555-B00-A	Thread trimmer mounting base	D.9/79	糸切り取付台	1
63		SS-6153040-SP	. . . Screw 15/64-28 L=30.0		糸切り取付台止ネジ	2
64		SS-8660610-SP	Screw 1/4-40 L=6.0		糸切り腕軸止ネジ	1
65		D2423-555-B00	Spring		カムローラー軸ニ又押シバネ	1
66		D2414-555-BA0	Cam roller shaft forked bracket asm.		カムローラー軸ニ又 (組)	1
67		SS-8660970-TP	. . . Screw 1/4-40 L=8.5	C.6/78	SS-8660970-SP	(1)
68		D2425-555-B00	Slide shaft		スライド軸	1
69		D2469-555-B00	Tube, for magnet cord		マグコードパイプ	1

Note (注記) 06 . . . . . Parts to be removed when DDL-555H-4 is to be used

DD-555H-4使用の際、取り除く部品



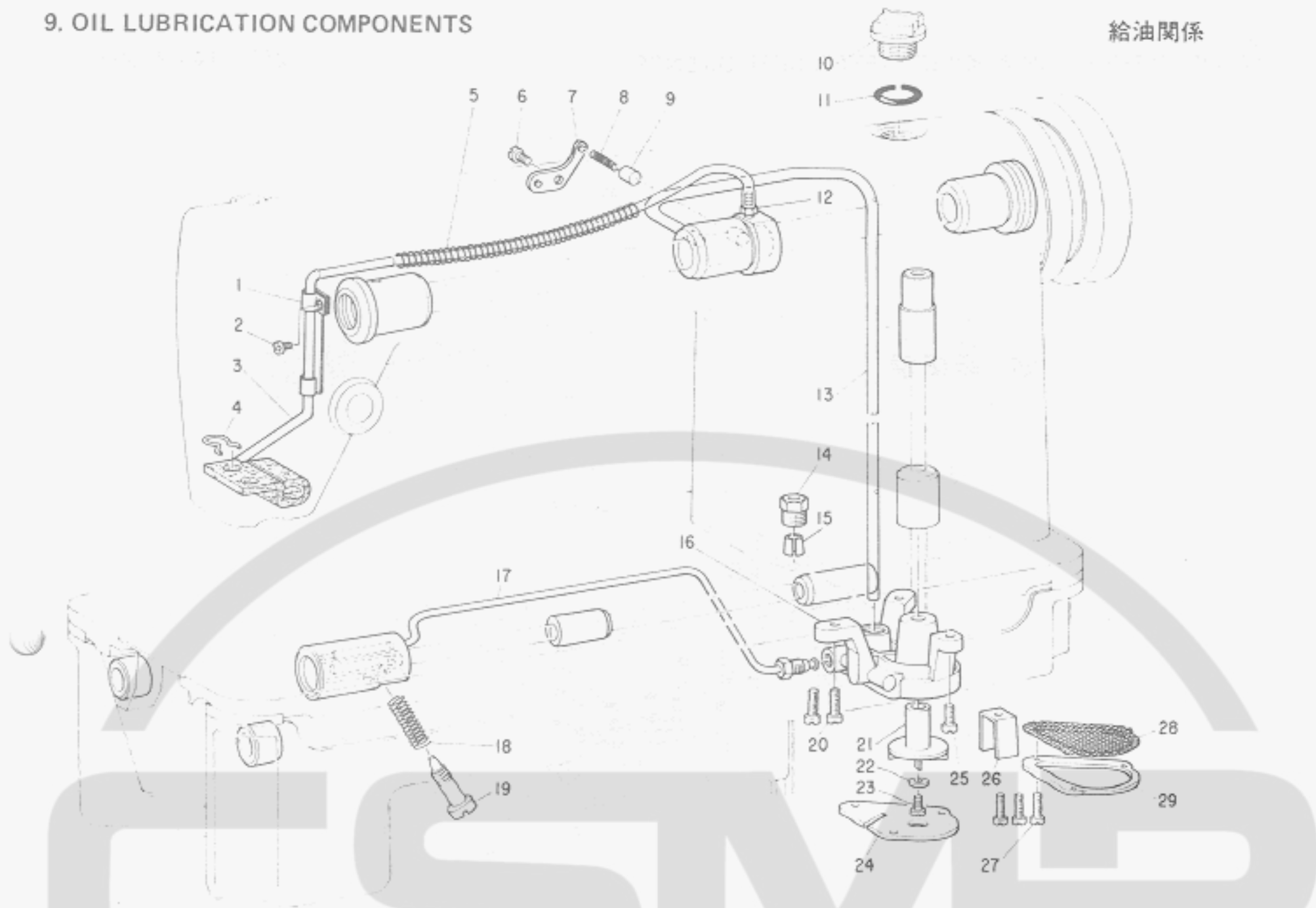
Ref. No.	Note	Part No.	Description	E.C.	Amt. Req.
注記	品番			変更年月	数量
1		MTS-P00650A0	Motor pulley (P.C.D.65) asm. ....		1
2		MTS-P00700A0	Motor pulley (P.C.D.70) asm. ....		1
3		MTS-P00750A0	Motor pulley (P.C.D.75) asm. ....		1
4		MTS-P00800A0	Motor pulley (P.C.D.80) asm. ....		1
5		MTS-P00850A0	Motor pulley (P.C.D.85) asm. ....		1
6		MTS-P00900A0	Motor pulley (P.C.D.90) asm. ....		1
7		MTS-P00950A0	Motor pulley (P.C.D.95) asm. ....		1
8		MTS-P01000A0	Motor pulley (P.C.D.100) asm. ....		1
9		MTS-P01100A0	Motor pulley (P.C.D.110) asm. ....		1
10		MTS-P01150A0	Motor pulley (P.C.D.115) asm. ....		1
11		MTS-P01200A0	Motor pulley (P.C.D.120) asm. ....		1
12		MTS-P0001000	Motor pulley installing nut .....		(1)
13		RC-4800002-KP	C ring .....		(1)
14		SS-8150710-SP	Screw 15/64-28 L=7.0 .....		(1)
15		D6001-555-DA0	Trunking cord asm. ....		1
16	09	SS-7110410-SP	Screw .....	D.4/77	-
	09	SS-7111420-SP	Screw .....	A.4/77	-
17	08	SS-7111410-SP	Screw .....		3
18	08	SS-9151740-SP	Screw 15/64-28 L=17.0 .....		2
19	08	SS-7110840-SP	Screw 11/64-40 L=8.0 .....		2
20		MAI-15042000	Nylon plug 4P (WHITE) .....		1
21		D6008-555-D00	Plug cover 4P (WHITE) .....		1
22		D6043-555-B00	Pin-shape terminal, male .....		4

Note (注記) 08 ..... For HITACHI motor  
 09 ..... For MATSUSHITA motor

日立モーター用  
 ナショナルモーター用

# 9. OIL LUBRICATION COMPONENTS

給油関係

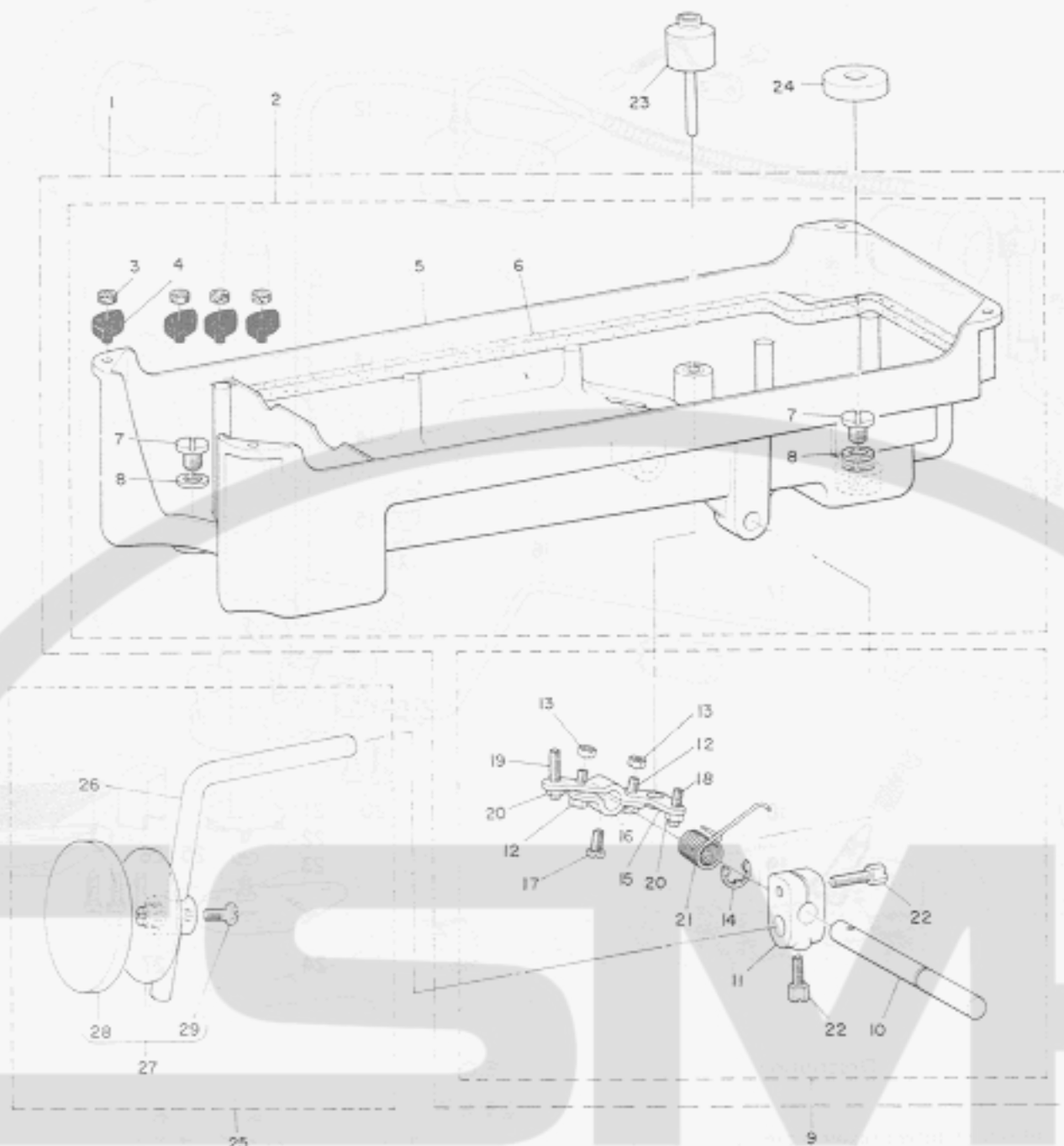


Ref. No.	Note	Part No.	Description	E.C.	品名	Amt. Req.
	注記	品番		変更年月		数量
1		D3536-555-B00	Oil return tube presser plate		カンリユー バイブ オサエ	1
2		SS-7110710-SP	Screw 11/64-40 L=7		マルヒラネジ 11 64 40 L=7	1
3		B3526-552-0A0	Oil return tube asm.		カンリユー フェルト クミ	1
4		B3529-226-000	Oil felt presser		カンリユー フェルトオサエ	1
5		B3404-122-000	Spring		バネ	1
6		SS-7110910-SP	Screw 11/64-40 L=8.5		マルヒラネジ 11 64 40 L=8.5	1
7		B3524-552-000	Plunger thrust plate		プランジャー オサエカナグ	1
8		B1214-038-000	Plunger spring		プランジャー オサエバネ	1
9		B3534-155-000	Oil return pump plunger		カンリユー ポンプ プランジャー	1
10		B3530-555-000	Oil sight window		アブラマド	1
11		RO-1952401-00	Rubber ring		Oリング	1
12		SO-1110402-MZ	Connecting screw		ビニールパイプ ツキテ	1
13		B3513-227-000-A	Main shaft oil tube		ウワシク キューユパイプ	1
14		B3512-122-000	Oil tube clamping screw		パイプ コテイネジ	1
15		B3511-122-000	Oil pipe clamping sleeve		パイプ コテイブッシュ	1
16		B3501-552-000	Lubricating oil pump		キューユ ポンプタイ	1
17		D3521-555-BA0	Oil tube asm.		カマ キューユパイプ クミ	1
18		B2616-372-000	Spring		バネ	1
19		B3514-412-000	Oil adjusting screw		シタシクマエメタル ユリョウチューセツネジ	1
20		SS-7121410-SP	Screw 3/16-28 L=14		マルヒラネジ 3 16 28 L=14	2
21		B3507-155-000	Oil pump impeller		カイテンシク	1
22		WP-0550800-SP	Washer M5		ヒラサガネ コガタマル M5	1
23		SS-6031010-TP	Screw 1/8-44 L=10		ヒラネジ 1 8 44 L=10	1
24		B3502-122-000	Oil pump cover		キューユ ポンプ フタ	1
25		SS-6121210-SP	Screw 3/16-28 L=12		ヒラネジ 3 16 28 L=12	1
26		B3545-122-000	Oil guard		キューユ ポンプ アブラヨケ	1
27		SS-6081210-SP	Screw 1/8-44 L=12		ヒラネジ 1 8 44 L=12	3
28		B3504-155-000	Filter screen		ロカアミ	1
29		B3503-122-000	Oil pump frame A		キューユ ポンプワク A	1



10. OIL RESERVOIR & KNEE LIFTER COMPONENTS

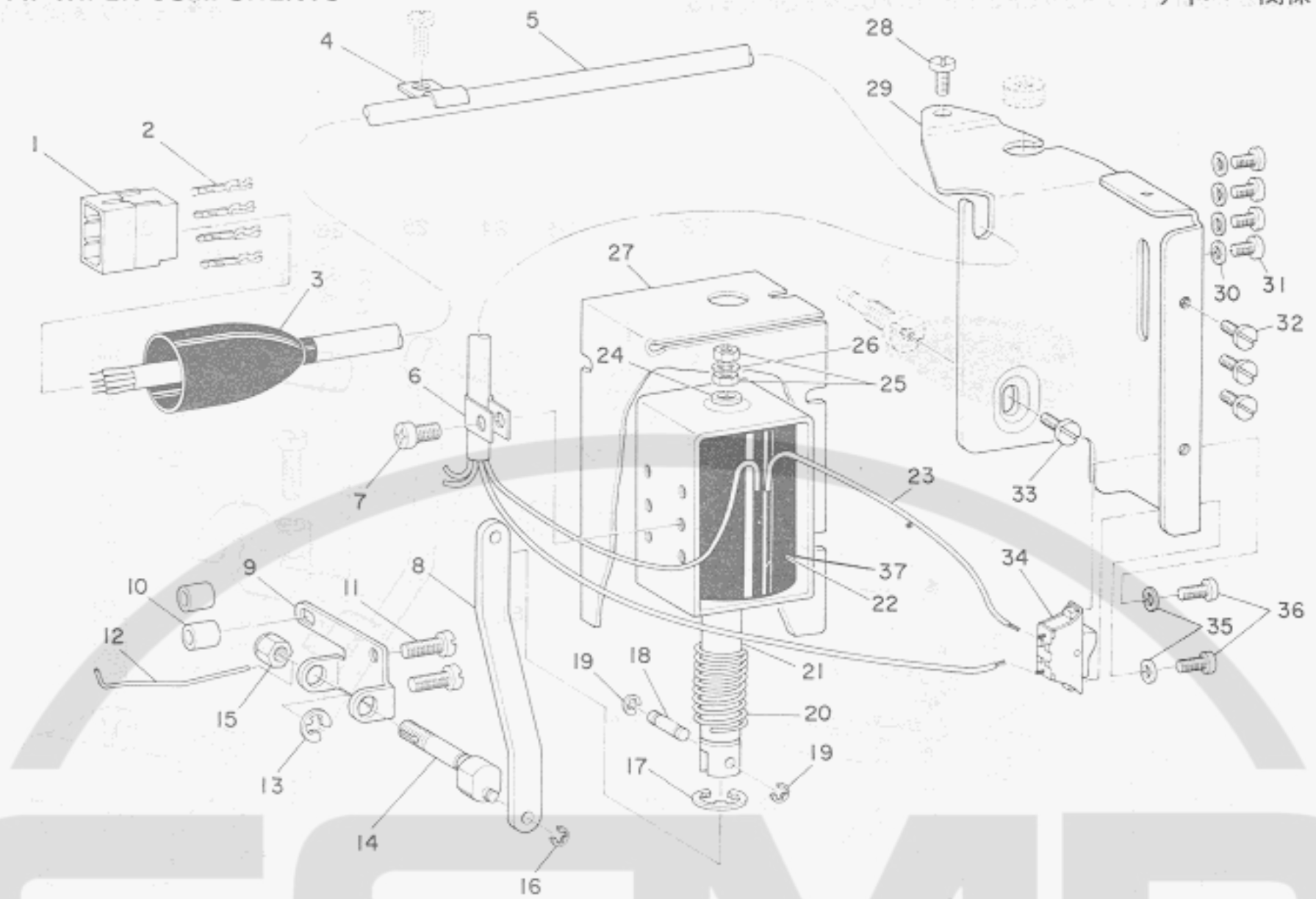
油溜・膝上ゲ関係



Ref. No.	Note	Part No.	Description	E.C. 変更年月	品名	Amt. Req. 数量
	注記	品番				
1		B8217-552-0C0	Oil reservoir asm. ....		油溜 (組) .....	1
2		B8217-552-0A0	Oil reservoir asm. ....		油溜 (組) .....	(1)
3		B8227-125-000	Felt pad .....		頭部クッション .....	(4)
4		B8226-125-000	Rubber pad .....		頭部支エゴム .....	(4)
5		B8217-552-000	Oil reservoir .....		油溜 .....	(1)
6		B8218-552-000	. . . Gasket .....		油溜パッキン .....	(1)
7		SS-6741010-SP	Oil drain cap screw 3/8-28 L=10.0 .....		排油穴蓋ネジ .....	(2)
8		B8219-125-000	. . . Gasket .....		排油穴蓋パッキン .....	(2)
9		B3420-552-0A0-A	Knee press rod asm. ....		ヒザ上ゲ横軸 (組) .....	(1)
10		B3420-552-000	Knee press rod .....		ヒザ当横軸 .....	(1)
11		B3427-122-000	. . . Bearing bracket .....		ヒザ当立軸取付腕 .....	(1)
12		SS-9151540-SR	Rotating lever clamp screw 15/64-28 L=15.0 ...		ヒザ上ゲ回転腕締ネジ .....	(2)
13		NS-6150430-SR	. . . . . Nut 15/64-28 .....		ヒザ上ゲ回転腕締ネジナット .....	(2)
14		B3426-552-000	Thrust ring .....		ヒザ当横軸スラスト受け .....	(1)
15		B3425-552-000	. . . Lifting (B) .....		ヒザ上ゲ回転腕 (B) .....	(1)
16		B3424-552-000	. . . Lifting (A) .....		ヒザ上ゲ回転腕 (A) .....	(1)
17		SS-9151220-SR	. . . . . Screw 15/64-28 L=12.0 .....		ヒザ上ゲ回転腕止ネジ .....	(1)
18		SS-8152080-SR	. . . . . Positioning screw (B) 15/64-28 L=19.5		ヒザ上ゲ回転角調節ネジ (B) .....	(1)
19		SS-8153010-SR	. . . . . Positioning screw (A) 15/64-28 L=30.0		ヒザ上ゲ回転角調節ネジ (A) .....	(1)
20		NS-6150430-SR	. . . . . Nut 15/64-28 .....		ヒザ上ゲ回転角調節ネジナット .....	(2)
21		B3429-552-000-A	. . . . . Spring .....		ヒザ上ゲ回転腕バネ .....	(1)
22		SS-9182010-SN	Clamp screw 9/32-20 L=20.5 .....		ヒザ上ゲ立軸取付腕締ネジ .....	(2)
23		B3421-552-0A0	Knee press lifter rod asm. ....		ヒザ上ゲ押し棒 (組) .....	1
24		B8228-125-000	Oil reservoir magnet .....		油溜磁石 .....	1
25		B3419-552-0A0	Knee lifter plate rod asm. ....		ヒザ当立軸 (組) .....	1
26		B3419-122-000	Knee lifter plate rod .....		ヒザ当立軸 .....	(1)
27		B3430-552-0A0	Knee press plate asm. ....		ヒザ当板 (組) .....	(1)
28		B3431-552-000-A	Knee press plate cover .....		ヒザ当板カバー .....	(1)
29		SS-9661120-CP	Screw 1/4-40 L=10.5 .....		ヒザ当板止ネジ .....	(1)

# 11. WIPER COMPONENTS

ワイパー関係



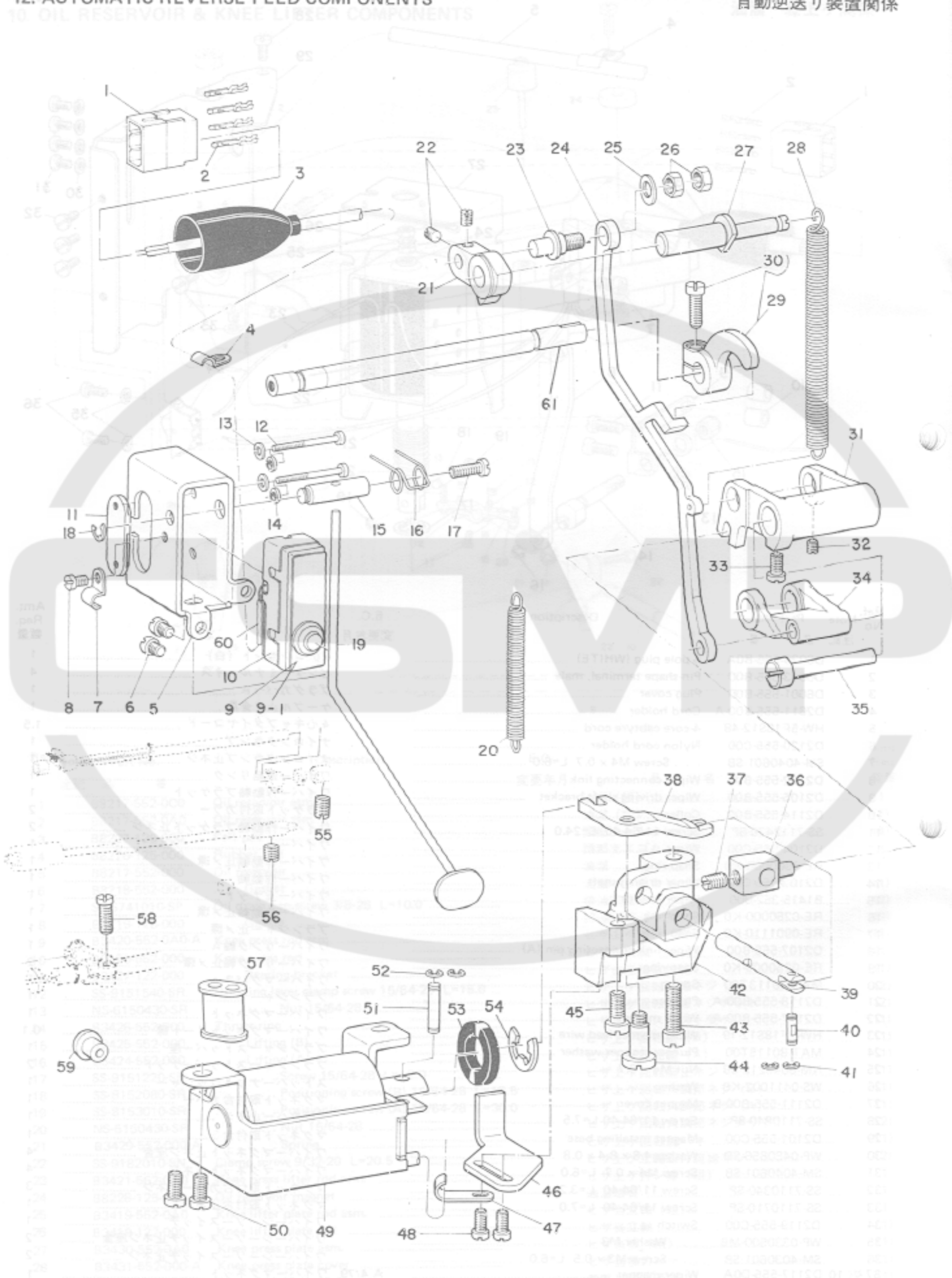
Ref. No.	Note	Part No.	Description	E.C. 変更年月	品名	Amt. Req. 数量
1		D6029-555-B0A	6 pole plug (WHITE)		6p コンセント (白)	1
2		D6043-555-B00	Pin-shape terminal, male		ピンターミナル、オス	4
3		D6001-555-B00	Plug cover		プラグカバー-A	1
4		D2611-555-B00-A	Cord holder		ケーブル止メ金具	1
5		HW-5F 18S12-48	4-core cabtyre cord		4心キャブタイヤコード	1.5
6		D2120-555-C00	Nylon cord holder		ナイロンクランプ	1
7		SM-4040601-SB	Screw M4 x 0.7 L=6.0		ナイロンクランプ止ネジ	1
8		D2102-555-B00	Wiper connecting link		ワイパー連結リンク	1
9		D2105-555-B00	Wiper driving shaft bracket		ワイパー作動軸ブラケット	1
10		D2114-555-B00	Collar		ブラケット取付カラー	2
11		SS-7112420-SP	Screw 11/64-40 L=24.0		ワイパー作動軸ブラケット止ネジ	2
12		D2104-555-C00	Wiper		ワイパー	1
13		RE-0500000-K0	Snap ring		ワイパー作動軸止メ環	1
14		D2103-555-C00	Wiper driving shaft		ワイパー作動軸	1
15		B1415-352-000	Wiper set nut		ワイパー止ナット	1
16		RE-G250000-K0	Snap ring		ワイパー作動軸止メ環	1
17		RE-0901110-K0	Snap ring		ブランジャー止メ環	1
18		D2107-555-B00	Wiper link connecting pin (A)		ワイパーリンク軸A	1
19		RE-0250000-K0	Snap ring		ワイパーリンク軸止メ環	2
20		MAT-80113T00	Spring		ワイパーマグバネ	1
21		D2118-555-B00-A	Plunger		ブランジャー	1
22		D2117-555-B00-A	Wiper magnet		ワイパーマグネット	1
23		HW-2F 18S12-19	Wiper magnet lead wire		ワイパーマグネットリード線	0.1
24		MAT-80115T00	Plunger stopper washer		ブランジャーストッパー座	1
25		NM-6043212-SB	Nut M4 x 0.7		ブランジャーストッパーナット	2
26		WS-0411002-KB	Washer		ストッパーナットワッシャー	1
27		D2111-555-B00-B	Magnet cover		マグネット取付台カバー	1
28		SS-7110840-SP	Screw 11/64-40 L=7.5		天秤カバー止ネジ	1
29		D2101-555-C00	Magnet installing base		マグネット取付台	1
30		WP-0490856-SD	Washer 4.8 x 8.4 x 0.8		ワイパーマグネット止ネジ座金	4
31		SM-4040601-SB	Screw M4 x 0.7 L=6.0		ワイパーマグネット止ネジ	4
32		SS-7110340-SP	Screw 11/64-40 L=3.2		マグネット取付台カバー止ネジ	3
33		SS-7110710-SP	Screw 11/64-40 L=7.0		マグネット取付台止ネジ	1
34		D2119-555-C00	Switch		ワイパーシーソースイッチ	1
35		WP-0330500-MB	Washer M3		ワイパーシーソースイッチ止ネジ座金	2
36		SM-4030601-SB	Screw M3 x 0.5 L=6.0		ワイパーシーソースイッチ止ネジ	2
37	10	D2117-555-D0A	Wiper magnet	A.4/79	ワイパーマグネット	1

Note (注記) 10 This is an exclusive part for JA.

JA専用部品

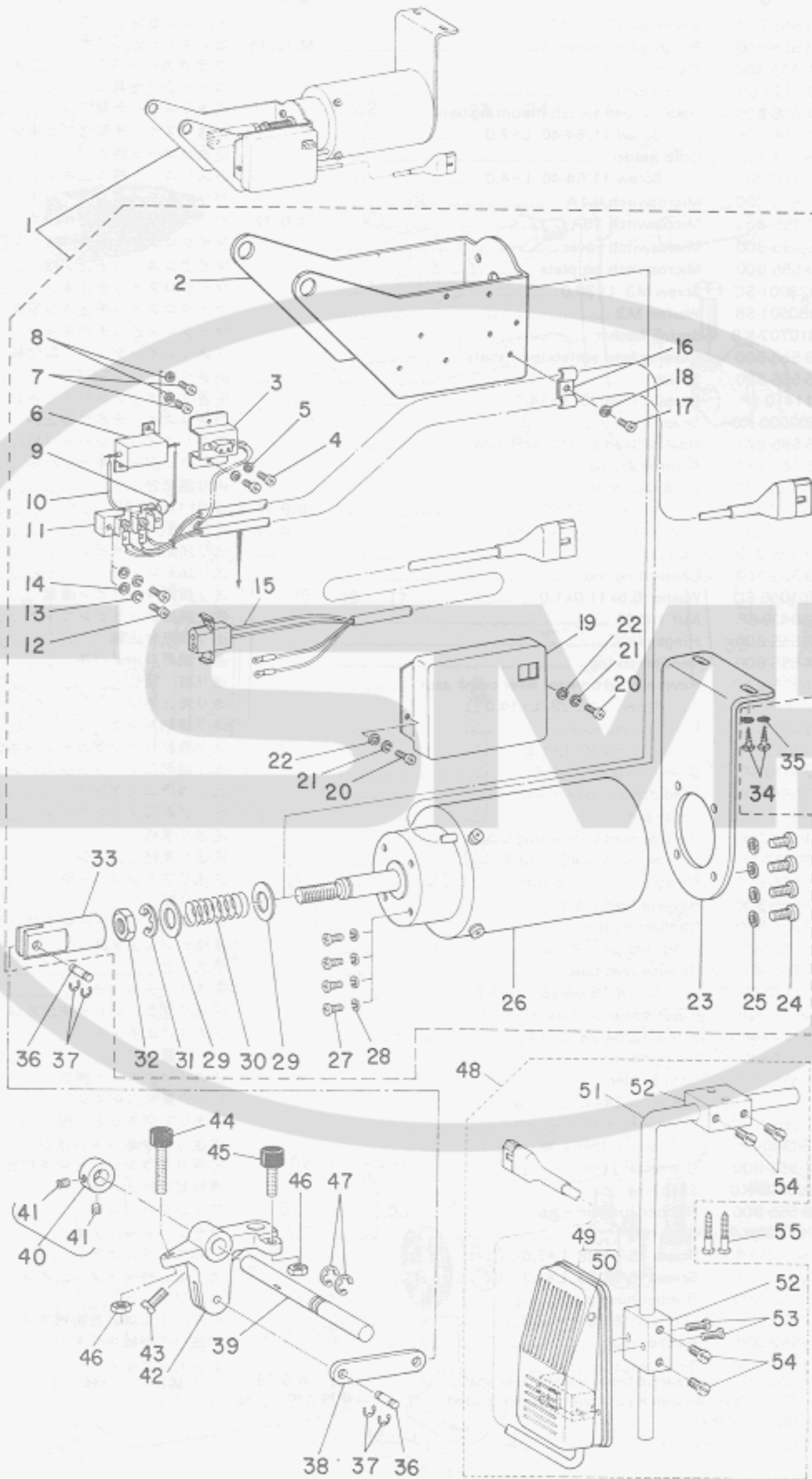
12. AUTOMATIC REVERSE FEED COMPONENTS

自動逆送り装置関係



13. PRESSER LIFTING SOLENOID COMPONENTS  
(SPECIAL ORDER PARTS)

押エ上げソレノイド関係 (特別注文部品)



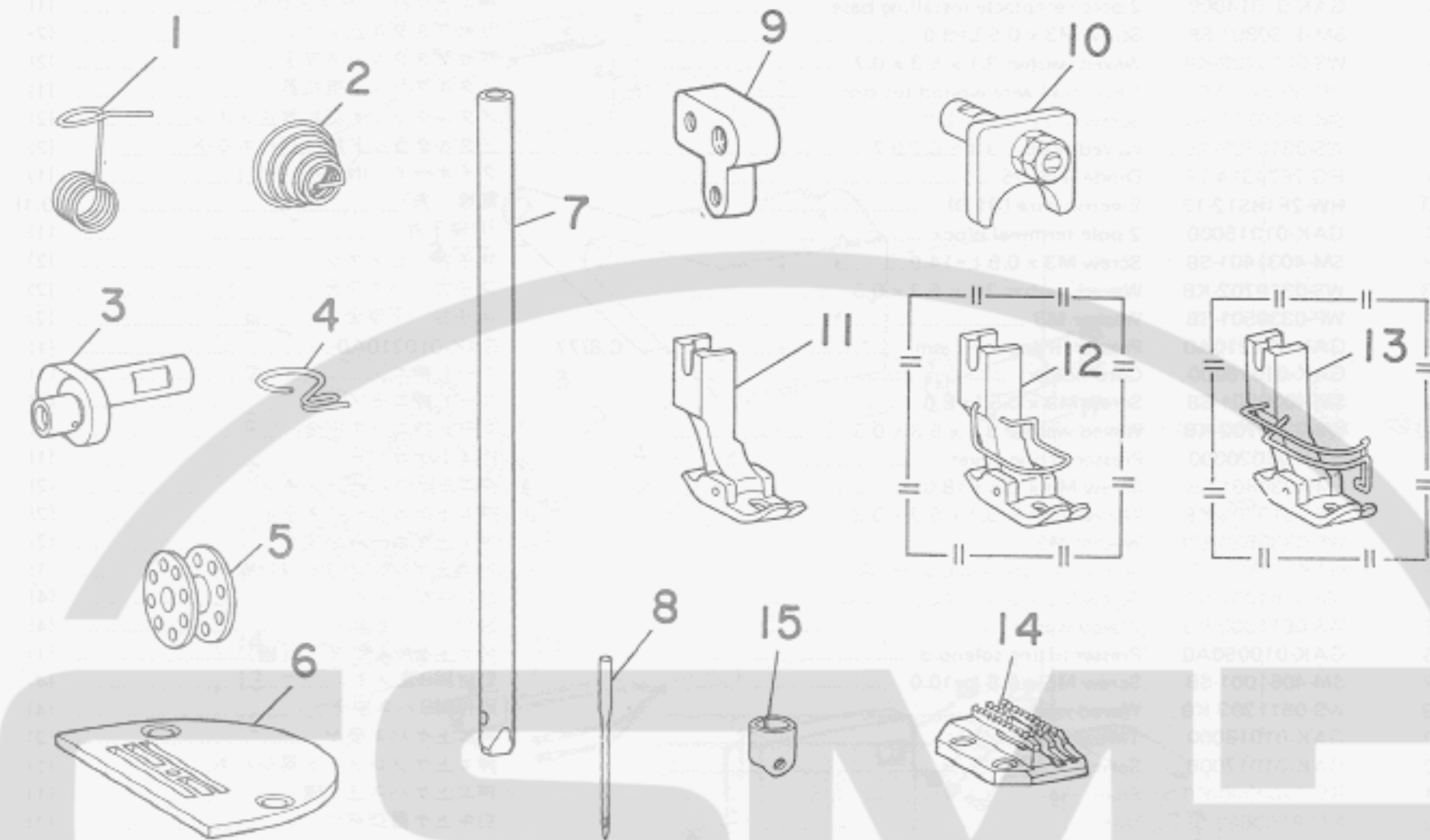
13. PRESSER LIFTING SOLENOID COMPONENTS (SPECIAL ORDER PARTS) 13. 押エ上ゲソレノイド関係 (特別注文部品)

(原裝品) 品名用字-A222-JCO

Ref. No.	Note	Part No.	Description	E.C.	Amt. Req.
注記	品番			変更年月	数量
1		GAK-020050B0	Presser lifting solenoid asm.		1
2		GAK-01013000	Solenoid installing bracket B		(1)
3		GAK-01014000	2 pole receptacle installing base		(1)
4		SM-4030801-SB	Screw M3 x 0.5 L=8.0		(2)
5		WS-0310702-KB	Waved washer 3.1 x 5.3 x 0.7		(2)
6		HR-0036010-00	Metal clad wire wound resistor		(1)
7		SM-4030801-SB	Screw M3 x 0.5 L=8.0		(2)
8		WS-0310702-KB	Waved washer 3.1 x 5.3 0.7		(2)
9		HG-2674014-7P	Diode IN5625		(1)
10		HW-2F18S12-12	Electric wire (RED)		(0.1)
11		GAK-01015000	2 pole terminal block		(1)
12		SM-4031401-SB	Screw M3 x 0.5 L=14.0		(2)
13		WS-0310702-KB	Waved washer 3.1 x 5.3 x 0.3		(2)
14		WP-0330501-SB	Washer M3		(2)
15		GAK-020210A0	Presser lifting cord asm.	C.8/77	(1)
16		GAK-01016000	Cord holder		(1)
17		SM-4030801-SB	Screw M3 x 0.5 L=8.0		(1)
18		WS-0310702-KB	Waved washer 3.1 x 5.3 x 0.3		(1)
19		GAK-01020000	Presser lifting cover		(1)
20		SM-4030801-SB	Screw M3 x 0.5 L=8.0		(2)
21		WS-0310702-KB	Waved washer 3.1 x 5.3 x 0.3		(2)
22		WP-0330500-MB	Washer M3		(2)
23		GAK-01012000	Solenoid installing bracket A		(1)
24		SM-4051001-SB	Screw M5 x 0.8 L=10.0		(4)
25		WS-0511302-KB	Waved washer		(4)
26		GAK-010050A0	Presser lifting solenoid		(1)
27		SM-4051001-SB	Screw M5 x 0.8 L=10.0		(4)
28		WS-0511302-KB	Waved washer		(4)
29		GAK-01018000	Thrust washer		(2)
30		GAK-01017000	Spring		(1)
31		RE-1200000-K0	Snap ring		(1)
32		NM-6100663-SE	Nut		(1)
33		GAK-01019000	Lifting lever shaft		(1)
34		SK-3514000-SD	Wood screw		2
35		WP-0520656-SA	Washer		2
36		MAO-12002000	Pin		2
37		RE-0320000-K0	Snap ring		4
38		GAK-01004000	Presser lifting lever connecting rod		1
39		GAK-01001000	Presser lifting shaft		1
40		CS-111101D-SH	Thrust collar asm.		1
41		SS-8660530-TP	Screw 1/4-40 L=4.5		(2)
42		GAK-01002000	Presser lifting lever		1
43		SS-7151210-SP	Screw 15/64-28 L=12.0		1
44		GAK-01003B00	Presser lifter stopper (B)		1
45		GAK-01003A00	Presser lifter stopper (A)		1
46		NM-6060003-SC	Nut M6 x 1		2
47		B3426-552-000	Snap ring		2
48		GAK-010220B0	Knee switch for presser lifter B asm.		1
49		GAK-010220A0	Knee switch for presser lifter A asm.		(1)
50		MAT-80233T0A	Microswitch	C.8/77	(1)
51		MAT-80231T00	Switch connecting rod		(1)
52		MAT-80230T00	Switch connecting block		(2)
53		SS-7111410-SP	Screw 11/64-40 L=4.0		(2)
54		SS-6151220-SP	Screw 15/64-28 L=11.5		(4)
55		SK-3413200-SC	Wood screw		2

14. EXCLUSIVE PARTS FOR DDL-555A-4 (FOR LIGHT WEIGHT MATERIALS)

DDL-555A-4専用部品 (薄物用)

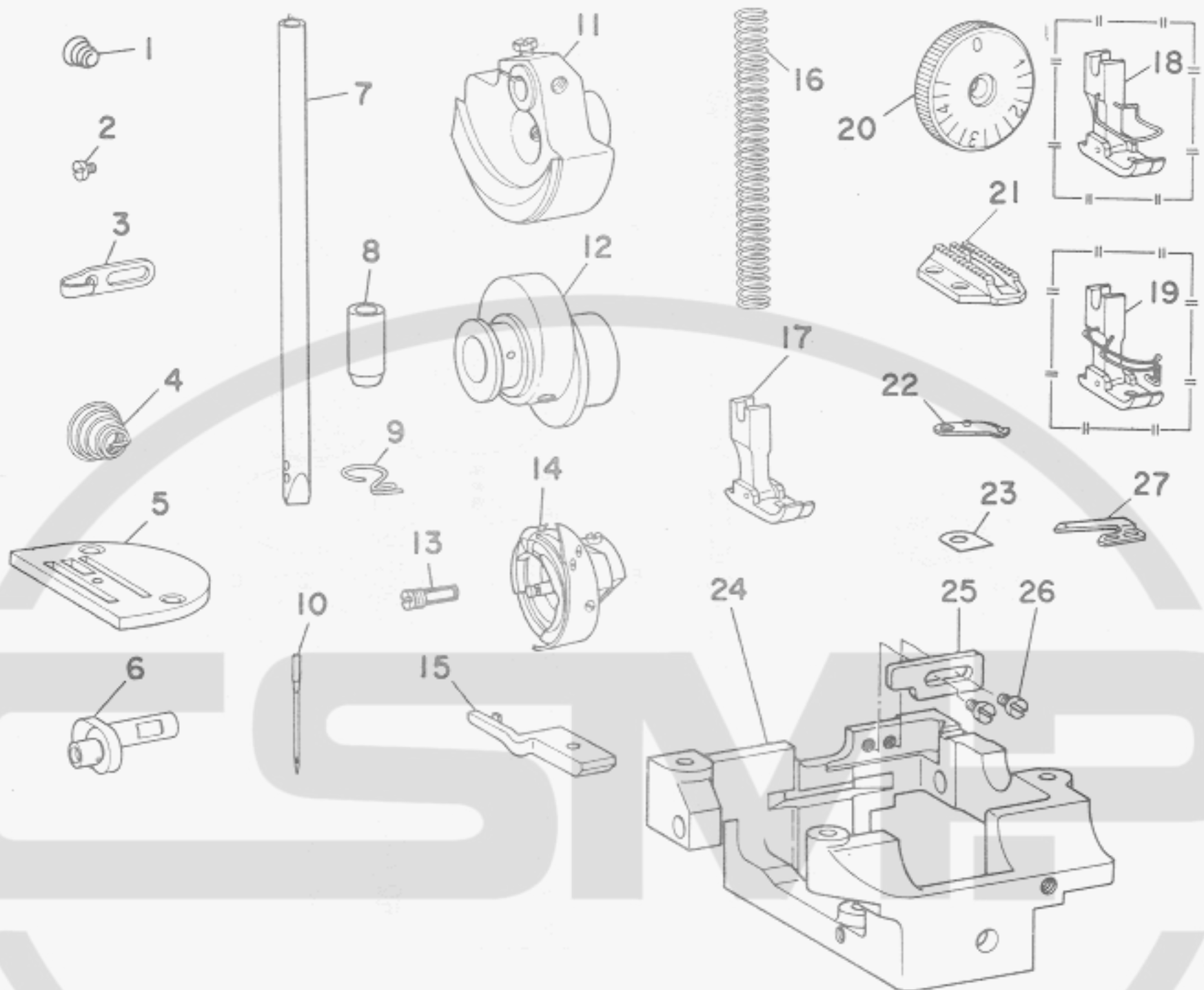


Ref. No.	Note	Part No.	Description	E.C.	品名	Amt. Req.
	注記	品番		変更年月		数量
1		B3128-027-000	Take-up spring		糸取バネ	1
2		B3121-352-000	Thread tension spring		糸調子バネ	1
3		B1209-552-A00	Needle bar crank		針棒クランク	1
4		B1419-553-000	Needle thread guide (B)	C.6/78	B1418-552-B00	1
5		B9117-552-A00	Bobbin (A)		ボビン (A)	1
6	04	B1109-012-i0B	Throat plate (i)		針板 (i)	1
7		B1401-552-D00-A	Needle bar (D)		針棒 (D)	1
8		MDA-100B0900	Needle (DA x 1 #9)		針 (DA・1 #9)	1
9		D3153-555-B0A	Tension release lever		糸ユルメ腕	1
10		B1518-552-AA0-A	Hand lifter cam (A) asm.		押エ上ゲカム (A)(組)	1
11		B1524-012-TA0	Hinged presser foot (T) asm.		自由押エ (T)(組)	1
12	07	B1524-012-TB0	Hinged presser foot (T) asm.		自由押エ (T)(組)	1
13	07	B1524-012-TBA	Hinged presser foot (T) asm.		自由押エ (T)(組)	1
14	04	B1613-012-i00	Feed dog (i)		送り (i)	1
15		B1418-552-800	Needle bar thread guide	C.6/78	B1419-553-000	1

Note (注記) 04 ..... This is a standard part for export. 輸出においては標準部品  
 07 ..... Special order parts. 特別注文部品

15. EXCLUSIVE PARTS FOR DDL-555H-4 (FOR HEAVY WEIGHT MATERIALS)

DDL-555H-4専用部品 (厚物用)



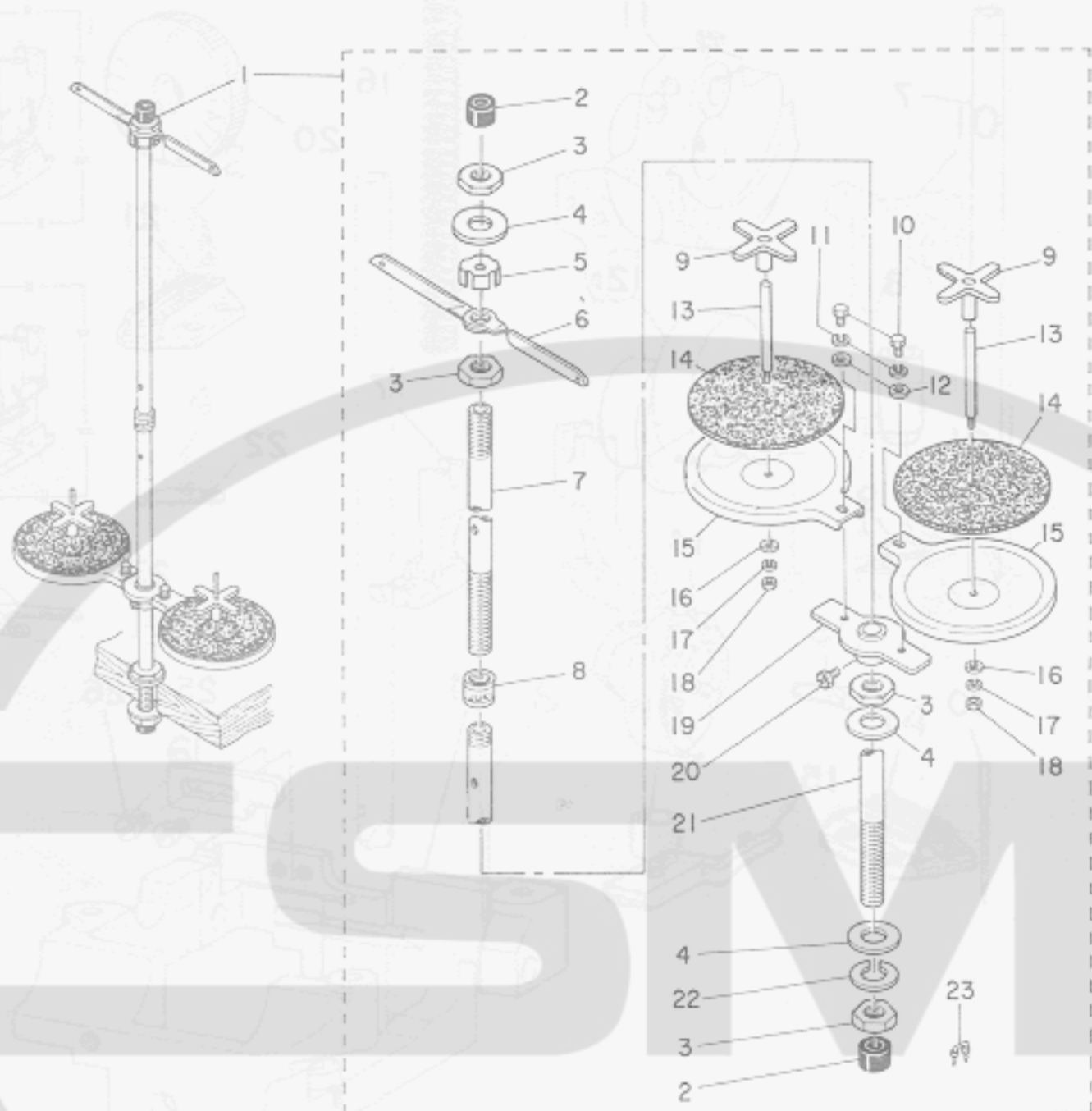
Ref. No.	Note	Part No.	Description	E.C.	品名	Amt. Req.
	注記	品番		変更年月		数量
1		D-3168-555-H0B	Thread tension spring		第一糸調子バネ	1
2		SS-6080320-SP	Screw 1/8-44 L=2.5		面部油防板止ネジ	1
3		B1126-553-000	Frame thread guide (A)		アーム糸案内 (A)	1
4		B3114-232-000	Thread tension spring		糸調子バネ	1
5		B1109-555-H0B	Throat plate (H)		針板 (H)	1
6		B1209-553-000	Needle bar crank		針棒クランク	1
7		B1401-552-i00	Needle bar		針棒 (i)	1
8		B1403-553-000	Needle bar bushing lower		針棒下メタル	1
9		B1419-553-000	Needle bar thread guide		針棒糸案内	1
10		MDB-100B2200	Needle (DB x 1 # 22)		針 (DB x 1 # 22)	1
11		B1206-553-0A0	Counterweight asm.		釣合錘 (組)	1
12		B1610-555-H00	Feed drive eccentric cam (H)		送り偏心カム (H)	1
13		B1808-227-HA0	Hook driving shaft front screw asm.		下軸前止ネジ (組)	1
14		B1830-555-HA0	Sewing hook (H) asm.		給油釜 (H) (組)	1
15		D1835-555-B0H	Bobbin case holder positioning finger (H)		中蓋押エ (H)	1
16		B1505-552-000-A	Presser spring		押エ調節バネ	1
17		B1511-543-BA0	Hinged presser foot asm.		自由押エ (組)	1
18	07	B1511-543-BB0	Hinged presser foot asm.		自由押エ (組)	1
19	07	B1511-543-BBA	Hinged presser foot asm.		自由押エ (組)	1
20		B1623-555-HA0-A	Stitch dial asm.		目盛板 (組)	1
21		B1613-555-H00	Feed dog (H)		送り歯 (H)	1
22		D2402-555-BAB	Moving knife asm.		動メス (組)	1
23	☆	D2404-555-B0A	Counter knife installing plate	D.3/80	固定メス取付板	-
24	☆	D2412-555-D0H	Thread trimmer mounting base	A.9/79	糸切り取付台	1
25	☆	D2432-555-D0H	Cam roller shaft presser	A.9/79	カムローラー軸押エ	1
26	☆	SS-7110710-SP	Screw 11/64-40 L=7.0	A.9/79	カムローラー軸押エ止ネジ	2
27	☆	D2406-555-D0H	Counter knife	A.7/80	固定メス	1

Note (注記) 07 ..... Special order parts. 特別注文部品

# 16. THREAD STAND UNIT COMPONENTS

糸立装置関係

(調機用) 品番用紙 4-H253-JDC

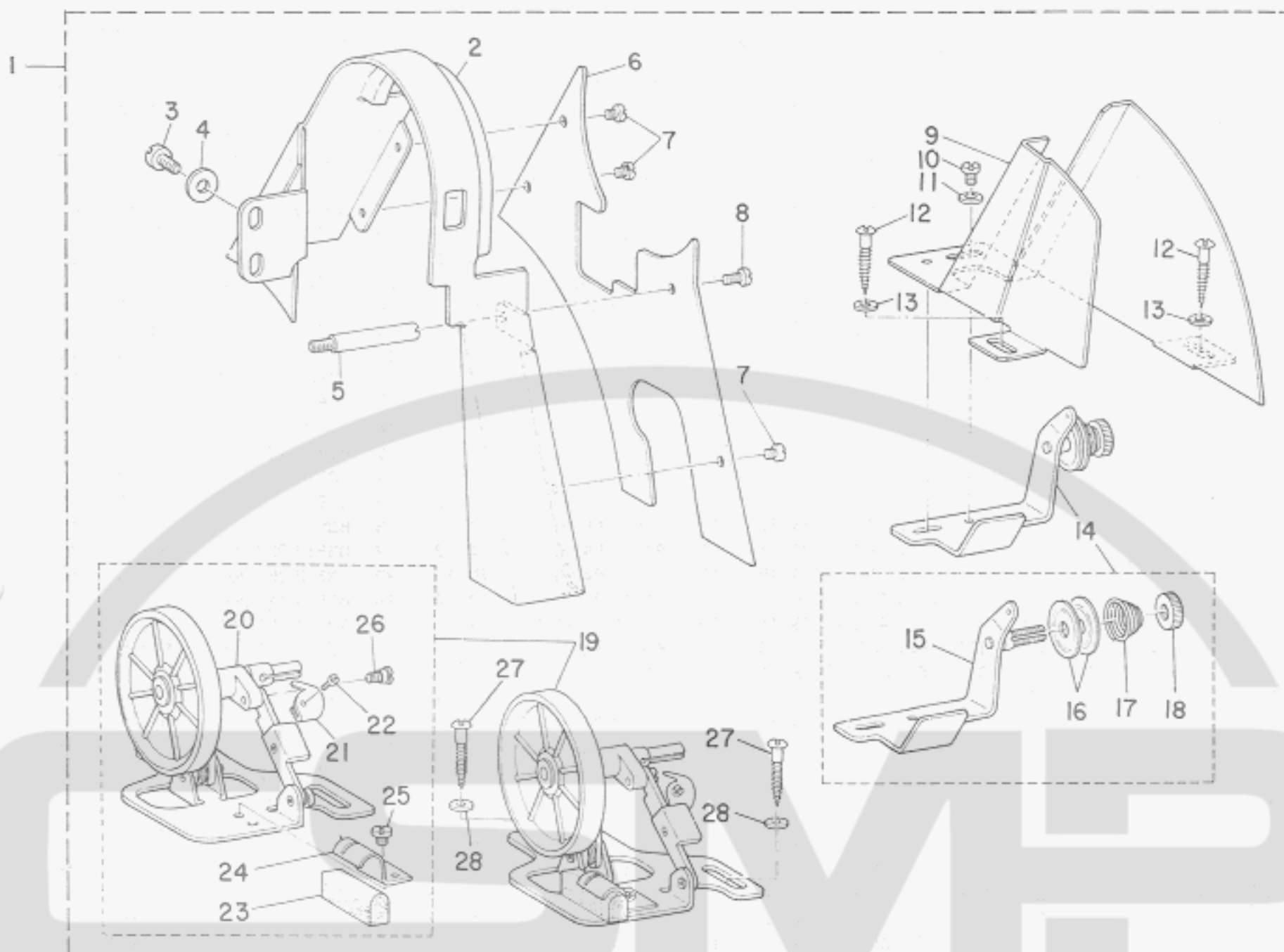


Ref. No.	Note	Part No.	Description	E.C.	Amt. Req.
	注記	品番		変更年月	数量
1		D3301-555-BA0	Thread stand asm.	イトタテソーチ クミ	1
2		B3311-704-000	Spool rest rod rubber cap	イトタテポー ホゴゴム	(2)
3		NM-6160511-SE	Nut M16 x 1.5	6カクナット M16×1.5 1シュ	(4)
4		WP-1702600-S0	Washer	ヒラザガネ コガタマル M17	(3)
5		D3306-555-B00	Thread guide stopper plate	イトタテイトアンナイ トメイタ	(1)
6		B3307-704-000	Thread guide (A)	イトタテ イトアンナイ A	(2)
7		B3313-704-000	Spool rest rod (UPPER)	イトタテポー ウエ	(1)
8		B3305-704-0A0	Spool rested joint asm.	イトタテポー ツギテ クミ	(1)
9		B3312-012-000	Spool vibration stopper	イトマキ フレドメ	(2)
10		SM-9050813-SE	Screw M5 x 0.8 L=8	6カクボルト M5×0.8 L=8	(2)
11		WS-0521010-KN	Spring washer 5.2 x 8.2 x 1.0	バネザガネ 5.2×8.2×1	(2)
12		WP-0520656-SA	Washer 5.2 x 9.5 x 0.6	ヒラザガネ 5.2×9.5×0.6	(2)
13		B3305-012-000	Spool pin	イトマキ ウケポー	(2)
14		B3311-012-000	Spool rest cushion	イトマキ ウケザ	(2)
15		B3303-704-000	Spool rest	イトタテ ウケイタ	(2)
16		WP-0560860-SE	Washer	ヒラザガネ 5.6×12×0.8	(2)
17		WS-0521010-KN	Spring washer 5.2 x 8.2 x 1.0	バネザガネ 5.2×8.2×1	(2)
18		NS-6123881-SE	Nut 3/16-28	6カクナット 3/16-28	(2)
19		D3302-555-B00	Bracket	イトタテ ウケダイ	(1)
20		SM-9061080-SE	Bolt	6カクボルト	(1)
21		B3301-704-000	Spool rest rod (LOWER)	イトタテポー シタ	(1)
22		WS-1643202-KN	Spring washer 16.4	バネザガネ	(1)
23		MAO-11532000	Staple	コード ステップル	(3)



# 17. BELT COVER COMPONENTS

ベルトカバー関係



Ref. No.	Note	Part No.	Description	E.C.	品名	Amt. Req.
	注記	品番		変更年月		数量
1		D8230-555-CB0	Belt cover asm. ....		ベルトカバー (組) .....	1
2		B8230-555-000	Belt cover frame .....		ベルトカバー体 .....	(1)
3		SS-7150940-SP	Screw 15/64-28 L=9.0 .....		丸平ネジ 15/64-28 L=9 .....	(1)
4		WP-0621016-SD	Washer 6.2 x 13.0 x 1.0 .....		平座金 6.2x13.0x1 .....	(1)
5		B8233-555-000	Belt cover support stud .....		ベルトカバー支柱 .....	(1)
6		D8231-555-C00	Belt cover stud plate .....		ベルトカバー蓋 .....	(1)
7		SS-7110510-SP	Screw 11/64-40 L=5.0 .....		丸平ネジ 11/64-40 L=5 .....	(3)
8		SS-7110910-SP	Screw 11/64-40 L=8.5 .....		丸平ネジ 11/64-40 L=8.5 .....	(1)
9		B8232-555-000	Belt cover frame (B) .....		ベルトカバー体 (B) .....	(1)
10		SS-7110510-SP	Screw 11/64-40 L=5.0 .....		丸平ネジ 11/64-40 L=5 .....	(1)
11		WP-0501016-SD	Washer 5.0 x 10.5 x 1.0 .....		平座金 5.0x10.5x1 .....	(1)
12		SK-3482500-SC	Wood screw 4.8 x 25 .....		丸木ネジ D=4.8 L=25 .....	(2)
13		WP-0501016-SC	Washer 5.0 x 10.5 x 1.0 .....		平座金 5.0x10.5x1 .....	(2)
14		B3213-555-0A0	Thread tension bracket asm. ....		糸巻糸調子棒台 (組) .....	(1)
15		B3214-555-0A0	Bracket asm. ....		糸巻糸調子棒台結合 .....	(1)
16		B3126-012-000	Tension disc .....		糸調子皿 .....	(2)
17		B3129-012-B00	Tension spring (B) .....		糸調子バネ B .....	(1)
18		B3125-012-000	Thread tension stud nut .....		糸調子ナット .....	(1)
19		B3201-555-0A0	Thread winder asm. ....		糸巻装置 (組) .....	(1)
20		B3202-555-0A0	Thread winder base asm. ....		糸巻体 (組) .....	(1)
21		B3209-555-000	Bobbin presser .....		ホビン押エ .....	(1)
22		SS-7081310-SP	Screw 1/8-44 L=12.5 .....		丸平ネジ 1/8-44 L=12.5 .....	(1)
23		B3211-555-000	Rubber brake .....		制動ゴム .....	(1)
24		B3212-555-000	Presser plate .....		制動ゴム押エ板 .....	(1)
25		SS-7110350-SP	Screw 11/64-40 L=3.5 .....		丸平ネジ 11/64-40 L=3.5 .....	(1)
26		SD-0490261-SP	Hinge screw D=4.90 H=2.6 .....		段ネジ D=4.90 H=2.6 .....	(1)
27		SK-3482500-SC	Wood screw 4.8 x 25 .....		丸木ネジ D=4.8 L=25 .....	(2)
28		WP-0501016-SC	Washer 5.0 x 10.5 x 1.0 .....		平座金 5.0x10.5x1 .....	(2)





Part No. 品番	Page 頁	Item Ref. 項目 No.	Part No. 品番	Page 頁	Item Ref. 項目 No.	Part No. 品番	Page 頁	Item Ref. 項目 No.	Part No. 品番	Page 頁	Item Ref. 項目 No.
SM-4040601-SB	18	11	31	SS-7110350-SP	26	17	25	SS-7151210-SP	22	13	43
SM-4051001-SB	22	13	24	SS-7110410-SP	15	8	16	SS-7620750-SP	10	5	17
SM-4051001-SB	22	13	27	SS-7110410-SP	20	12	8	SS-7621040-SP	20	12	33
SM-9050813-SE	25	16	10	SS-7110510-SP	2	1	26	SS-7681650-TP	4	2	31
SM-9061080-SE	25	16	20	SS-7110510-SP	26	17	7	SS-8090670-SP	2	1	32
SQ-1110402-MZ	16	9	10	SS-7110510-SP	26	17	10	SS-8110410-TP	6	3	28
SS-2060210-SP	14	7	9	SS-7110540-SP	12	6	24	SS-8110510-SP	2	1	15
SS-2091520-SP	16	9	17	SS-7110710-SP	12	6	25	SS-8110510-SP	10	5	11
SS-2110915-SP	2	1	45	SS-7110710-SP	16	9	4	SS-8110510-SP	12	6	10
SS-2110930-SP	4	2	44	SS-7110710-SP	18	11	33	SS-8110510-SP	20	12	22
SS-4080620-TP	12	6	3	SS-7110710-TP	14	7	52	SS-8110510-SP	20	12	32
SS-4080620-TP	14	7	7	SS-7110720-SP	10	5	10	SS-8110520-TP	6	3	14
SS-5090610-SP	2	1	28	SS-7110720-SP	20	12	22	SS-8150310-SP	4	2	16
SS-6060210-SP	2	1	49	SS-7110740-SP	8	4	47	SS-8150310-SP	4	2	21
SS-6080320-SP	24	15	2	SS-7110740-TP	8	4	31	SS-8150310-SP	8	4	58
SS-6080410-SP	2	1	24	SS-7110740-TP	14	7	13	SS-8150410-SP	12	6	31
SS-6080410-SP	12	6	13	SS-7110740-TP	20	12	6	SS-8150510-TP	20	12	56
SS-6081010-TP	16	9	29	SS-7110840-SP	15	8	19	SS-8150710-SP	2	1	41
SS-6081210-SP	16	9	35	SS-7110840-SP	18	11	28	SS-8150710-SP	10	5	15
SS-6090510-SP	14	7	18	SS-7110910-SP	2	1	7	SS-8150710-SP	10	5	24
SS-6090650-SP	8	4	56	SS-7110910-SP	10	5	16	SS-8150710-SP	10	5	39
SS-6090670-TP	4	2	19	SS-7110910-SP	16	9	7	SS-8150710-SP	12	6	18
SS-6090810-SP	14	7	25	SS-7110910-SP	26	17	8	SS-8150710-SP	15	8	14
SS-6110420-TP	6	3	20	SS-7111120-SP	2	1	2	SS-8150710-TP	13	6	42
SS-6110420-TP	14	7	30	SS-7111120-SP	8	4	33	SS-8150760-TP	20	12	55
SS-6110560-TP	6	3	30	SS-7111120-SP	10	5	43	SS-8151150-SP	4	2	5
SS-6111010-SP	6	3	34	SS-7111120-SP	10	5	48	SS-8151150-SP	4	2	36
SS-6111110-SP	20	12	48	SS-7111120-SP	12	6	21	SS-8151150-SP	4	2	46
SS-6121050-SP	10	5	2	SS-7111120-SP	14	7	11	SS-8151150-SP	6	3	12
SS-6121210-SP	10	5	14	SS-7111260-SP	10	5	36	SS-8151150-SP	6	3	24
SS-6121210-SP	10	5	23	SS-7111310-TP	12	6	8	SS-8151230-SP	10	5	7
SS-6121210-SP	16	9	27	SS-7111410-SP	8	4	54	SS-8151550-SP	4	2	50
SS-6121230-SP	20	12	58	SS-7111410-SP	15	8	17	SS-8151550-SP	6	3	18
SS-6121610-SP	12	6	37	SS-7111410-SP	20	12	17	SS-8151550-SP	12	6	19
SS-6121610-SP	12	6	41	SS-7111410-SP	22	13	53	SS-8152080-SR	17	10	18
SS-6121610-TP	12	6	33	SS-7111420-SP	15	8	16	SS-8153010-SR	17	10	19
SS-6151220-SP	22	13	54	SS-7112420-SP	18	11	11	SS-8620610-SP	10	5	40
SS-6151440-SP	20	12	45	SS-7120910-SP	8	4	42	SS-8620610-TP	8	4	19
SS-6152440-SP	20	12	43	SS-7121410-SP	16	9	26	SS-8620610-TP	12	6	5
SS-6153040-SP	14	7	63	SS-7121410-SP	20	12	30	SS-8660530-TP	22	13	41
SS-6660710-TP	14	7	28	SS-7150940-SP	2	1	60	SS-8660610-TP	14	7	64
SS-6661110-SP	4	2	42	SS-7150940-SP	6	3	22	SS-8660610-TP	4	2	33
SS-6741010-SP	17	10	7	SS-7150940-SP	20	12	50	SS-8660610-TP	4	2	40
SS-7080510-SP	4	2	25	SS-7150940-SP	26	17	3	SS-8660610-TP	12	6	29
SS-7081310-SP	26	17	22	SS-7151120-SP	4	2	38	SS-8660810-TP	6	3	5
SS-7091110-SP	8	4	62	SS-7151120-SP	10	5	45	SS-8660810-TP	10	5	32
SS-7110340-SP	18	11	32	SS-7151210-SP	14	7	35	SS-8660810-TP	14	7	39
				SS-7151210-SP	14	7	45	SS-8660970-SP	14	7	67
				SS-7110710-SP	24	15	26				